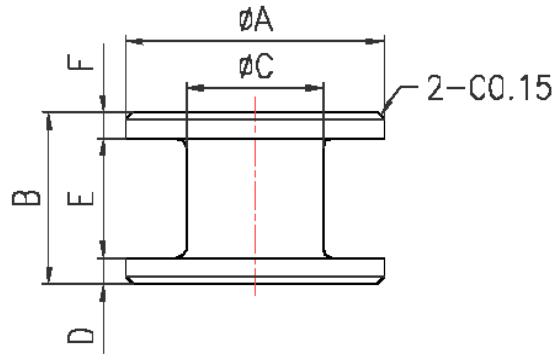




SRI cores

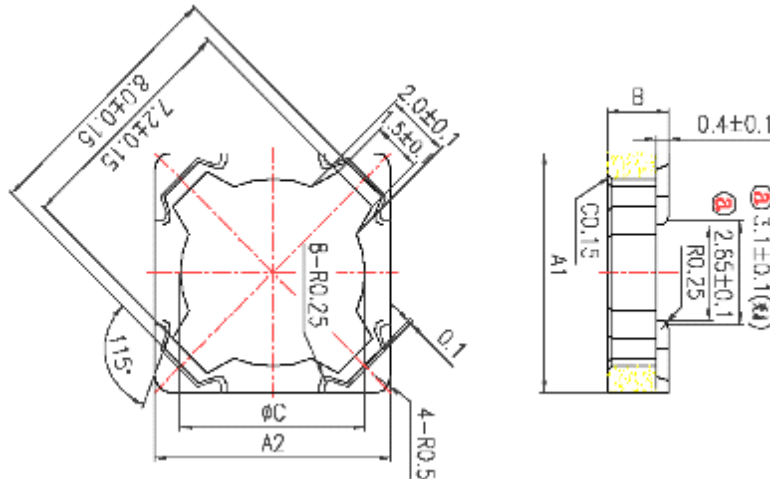
I 5.3×2.25×2
SRI 7.3×1.8×5.7



CORE SETS

CORE DIMENSIONS (mm)

Dimensions (mm)						Weight (g)
ΦA	B	ΦC	D	E	F	
5.3±0.1	2.0±0.07	2.25±0.12	0.5±0.07	1.0±0.12	0.5±0.07	0.14



Dimensions (mm)				Weight (g)
A1	A 2	B	ΦC	
7.3±0.12	7.3±0.12	1.8±0.07	5.7±0.12	0.26

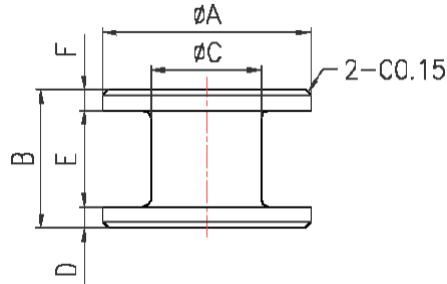
Characteristic

Grade	L (μ H)	L _{0.5A} (μ H)
		f=100kHz U=1.0V N=20Ts, Φ0.2 mm
DN40B	15.5 ± 20%	≥80% X L _{0A}



SRI cores

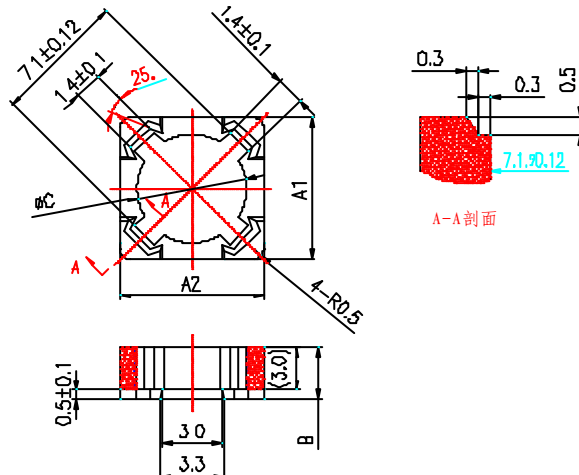
I5. 3X2. 55X2. 8
SRI7. 3X2. 7X5. 6



CORE SETS

CORE DIMENSIONS (mm)

Dimensions (mm)						Weight (g)
ΦA	B	ΦC	D	E	F	
5.3 ± 0.1	2.8 ± 0.15	2.55 ± 0.12	0.67 ± 0.07	1.46 ± 0.15	0.67 ± 0.07	0.2



Dimensions (mm)				Weight (g)
A1	A 2	B	ΦC	
7.3 ± 0.15	7.3 ± 0.15	2.7 ± 0.15	5.6 ± 0.12	0.15

Characteristic

Grade	$L (\mu H)$	$L_{1.0A} (\mu H)$
		$f=100kHz$ $U=1.0V$ $N=20T_s, \Phi 0.2 \text{ mm}$
DN35H	$19.5 \pm 20\%$	$\geq 80\% \times L_{0A}$

