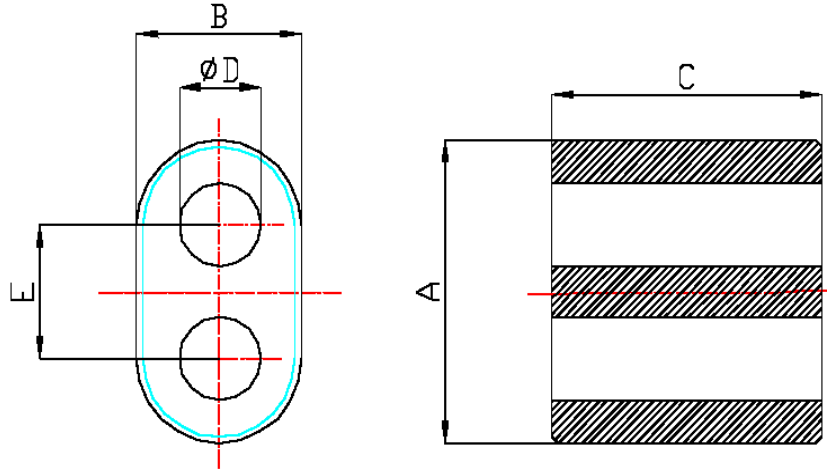




SK cores

SK42X21X40



CORE SETS

CORE DIMENSIONS (mm)

Dimensions (mm)					Weight (g)
A	B	C	ΦD	E	
42.0±0.7	21.0±0.5	40.0±0.6	7±0.25	21.0±0.5	147.7

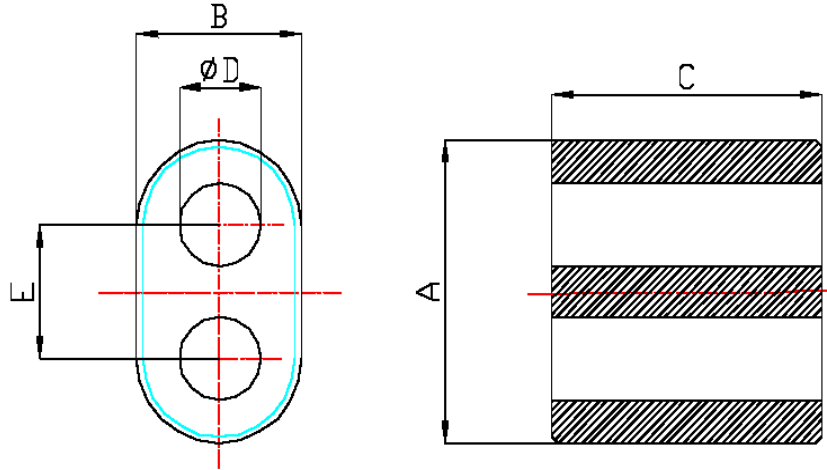
Characteristic

Grade	L (μH)
	f=100kHz U=1.0V N=5Ts, $\Phi 0.35$ mm (winding in one of the holes)
DN10H	23.0±30%



SK cores

SK6. 9X4. 06X4



CORE SETS

CORE DIMENSIONS (mm)

Dimensions (mm)					Weight (g)
A	B	C	∅D	E	
6.9 ± 0.3	4.06 ± 0.25	4.0 ± 0.3	1.85 ± 0.15	2.92 ± 0.1	0.4

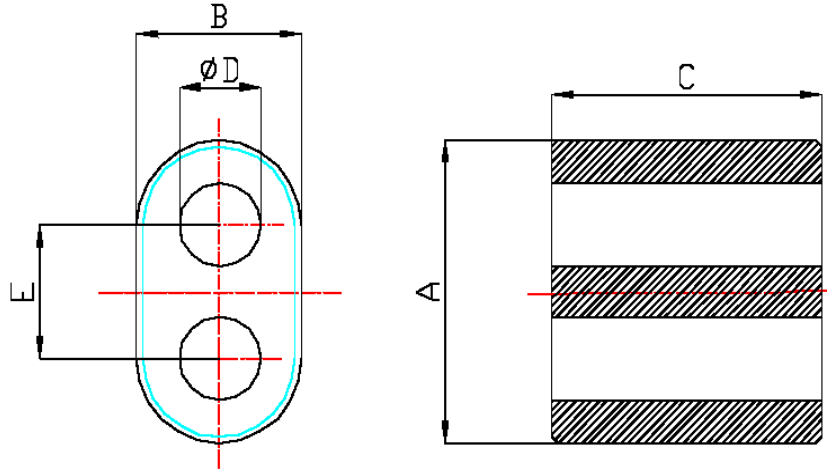
Characteristic

Grade	L (μH)
	f=100kHz U=1.0V N=5Ts, ∅0.35 mm (winding in one of the holes)
DN10H	1.9 ± 25%
DN65H	10.4 ± 25%



SK cores

SK13. 6X7. 6X14



CORE SETS

CORE DIMENSIONS (mm)

Dimensions (mm)					Weight (g)
A	B	C	ΦD	E	
13.6 ± 0.3	7.6 ± 0.3	14.0 ± 0.3	3.74 ± 0.3	6.0 ± 0.2	5.82

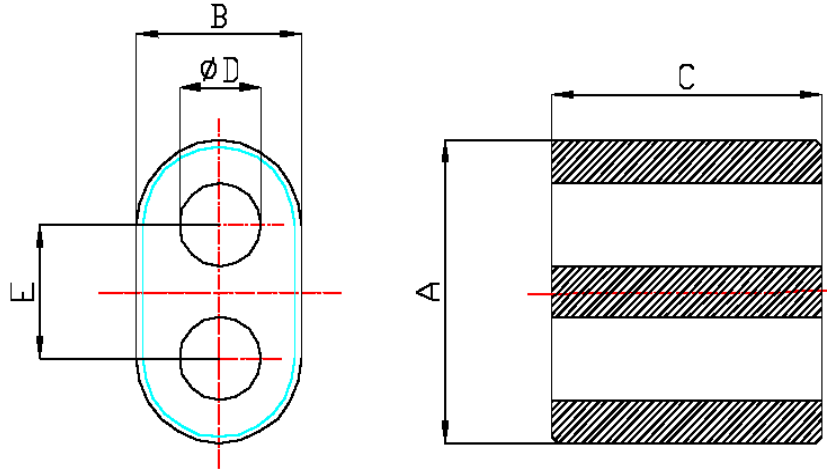
Characteristic

Grade	L (μH)
	f=100kHz U=1.0V N=5Ts, $\Phi 0.35$ mm (winding in one of the holes)
DN10H	$6.2 \pm 25\%$
DN85H	$45 \pm 30\%$



SK cores

SK32X16X32



CORE SETS

CORE DIMENSIONS (mm)

Dimensions (mm)					Weight (g)
A	B	C	ΦD	E	
32.0 ± 0.7	16.0 ± 0.5	32.0 ± 0.7	8.0 ± 0.25	16.0 ± 0.5	59.32

Characteristic

Grade	L (μH)
	f=100kHz U=1.0V N=5Ts, $\Phi 0.35$ mm (winding in one of the holes)
DN10H	$11.2 \pm 25\%$