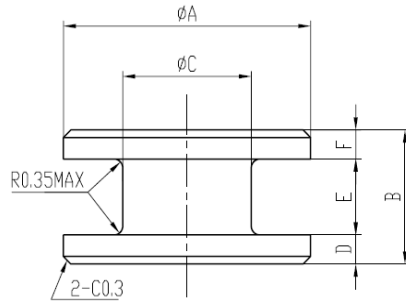




SDI Cores

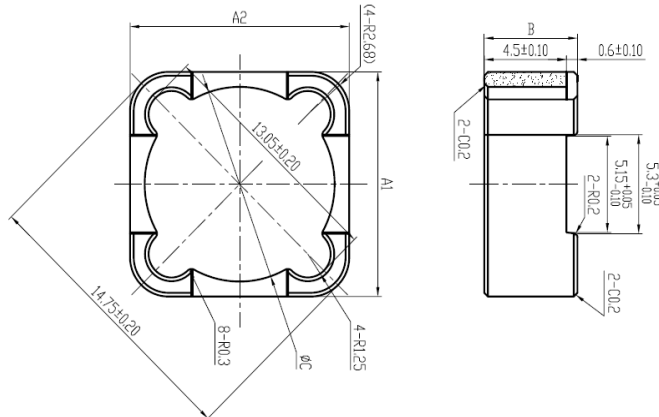
I10×5.2×5.3
SDI12×5.1×10.4



CORE SETS

CORE DIMENSIONS (mm)

Dimensions (mm)						Weight (g)
ΦA	B	ΦC	D	E	F	
10±0.1	5.3±0.1	5.2±0.1	1.15±0.1	2.9±0.1	1.15±0.1	1.26



Dimensions (mm)				Weight (g)
A1	A2	B	ΦC	
12.0±0.2	12.0±0.2	5.1±0.15	10.4 ^{+0.3} ₋₀	1.57

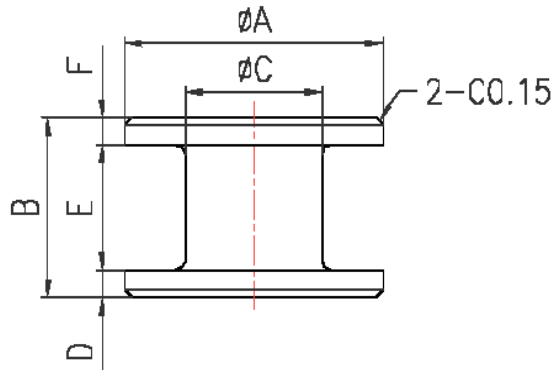
Characteristic

Grade	L (μH)	L _{1.5A} (μH)
		f=100kHz U=1.0V N=20Ts, Φ0.35 mm
DN80L	44.0±20%	≥70% X L _{0A}



SDI Cores

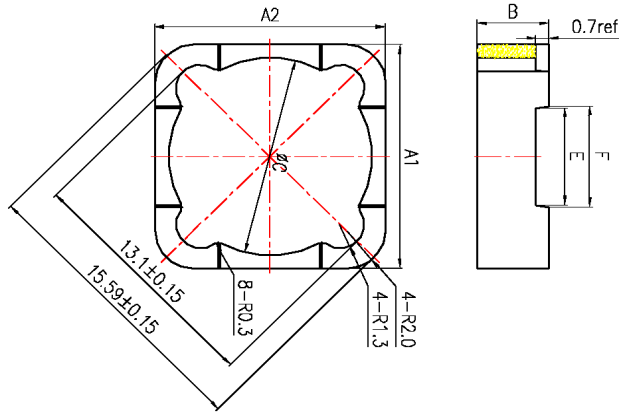
I9.85×6.4×7.1
SDI12.2×6.8×10.8



CORE SETS

CORE DIMENSIONS (mm)

Dimensions (mm)						Weight (g)
ΦA	B	ΦC	D	E	F	
9.85±0.1	7.1±0.2	6.4±0.15	1.1±0.15	4.9±0.15	1.1±0.15	1.7



Dimensions (mm)						Weight (g)
A1	A2	B	ΦC	E	F	
12.2±0.15	12.2±0.15	6.8±0.2	10.8±0.15	5.3±0.15	5.5±0.15	2.03

Characteristic

Grade	L (μH)	L _{5.0A} (μH)
		f=100kHz U=1.0V N=20Ts, Φ0.35 mm
DN35H	25±20%	≥70% X L _{0A}