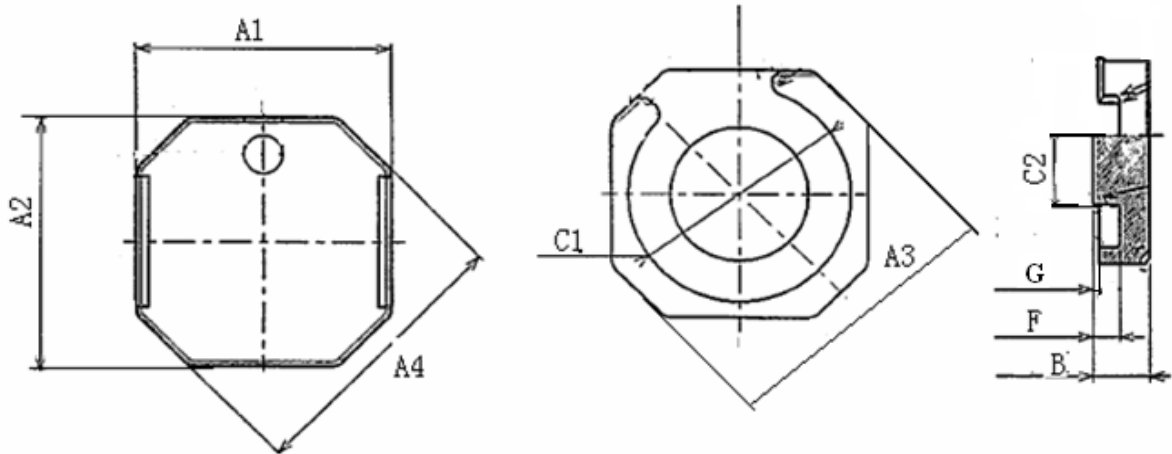




P cores

P10×10×2.3



CORE SETS

CORE DIMENSIONS (mm)

Dimensions (mm)									Weight (g)
A1	A2	A3	A4	B	C1	C2	F	G	
10.0±0.12	10.0±0.12	11.2±0.12	11.2±0.12	2.3±0.05	8.7±0.07	5.4±0.05	1.0±0.05	0.4±0.05	1.0

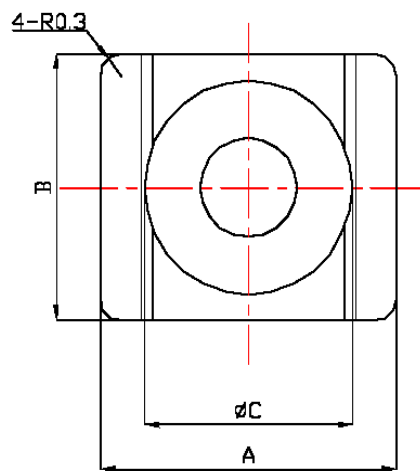
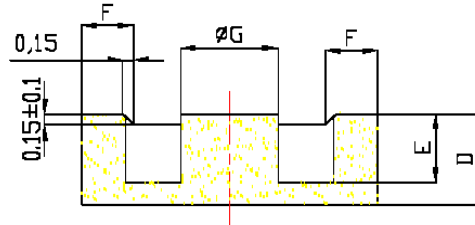
Characteristic

Grade	AL (nH/N ²)	L _{5.0A} (μH)
	f=100kHz U=0.1V N=10Ts, Φ0.2 mm, T=25°C	f=100kHz U=0.1V N=10Ts, Φ0.2 mm, T=25°C
DN40B	95.0 ± 30%	≥90% X LOA



P cores

P4×3.5×2.8



CORE SETS

CORE DIMENSIONS (mm)

Dimensions (mm)							Weight (g)
A	B	φC	D	E	F	φG	
4.0±0.15	3.5±0.1	2.8±0.15	2.8±0.1	2.0±0.1	0.7±0.1	1.3±0.1	0.15

Characteristic

Grade	AL (nH/N ²)
	f=100kHz U=0.1V N=20Ts, Φ0.2 mm , T=25°C
DN35H	15.8 ± 30%

—