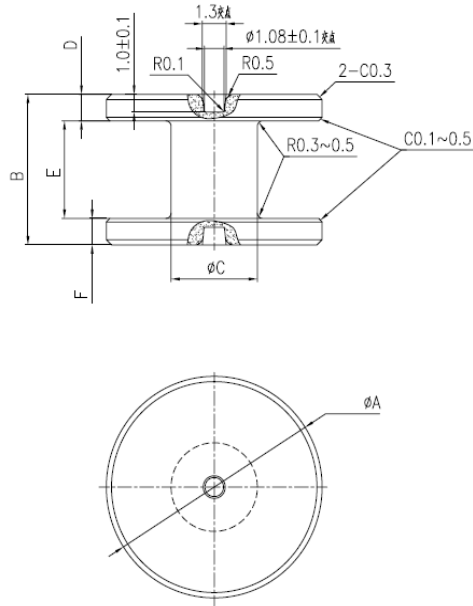




I cores

Ib12. 5X5X8. 5



CORE SETS

CORE DIMENSIONS (mm)

Dimensions (mm)						Weight (g)
ϕA	B	ϕC	D	E	F	
12.5 ± 0.15	8.5 ± 0.2	5.0 ± 0.15	1.5 ± 0.1	5.5 ± 0.15	1.5 ± 0.1	2.47

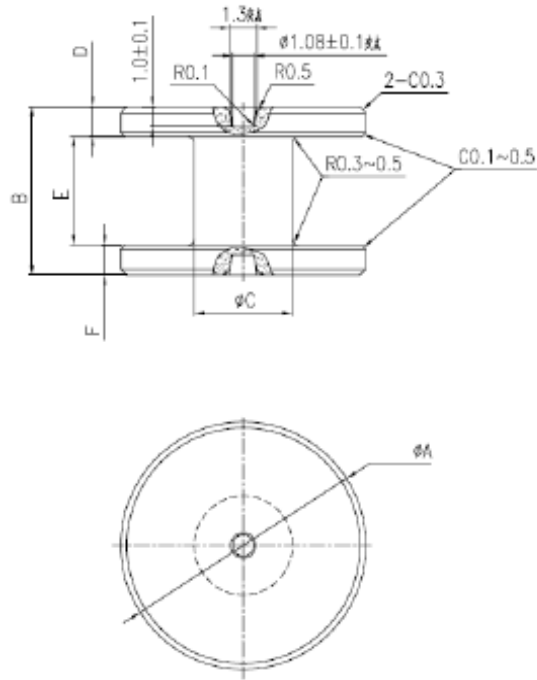
Characteristic

Grade	$L (\mu H)$	$L_{5.0A} (\mu H)$
		$f=100kHz$ $U=1.0V$ $N=20Ts, \Phi 0.5 \text{ mm}$
DN35H	$18 \pm 20\%$	$\geq 90\% \times L_{0A}$



I cores

Ib8X4X10



CORE SETS

CORE DIMENSIONS (mm)

Dimensions (mm)						Weight (g)
φ A	B	φ C	D	E	F	
8.0±0.2	10±0.2	4.0±0.2	2.0±0.1	6.0±0.1	2.0±0.1	1.44

Characteristic

Grade	L (μ H)	L _{5.0A} (μ H)
		f=100kHz U=1.0V N=20Ts, Φ 0.5 mm
DMR40	14.0±20%	≥90% X L _{0A}