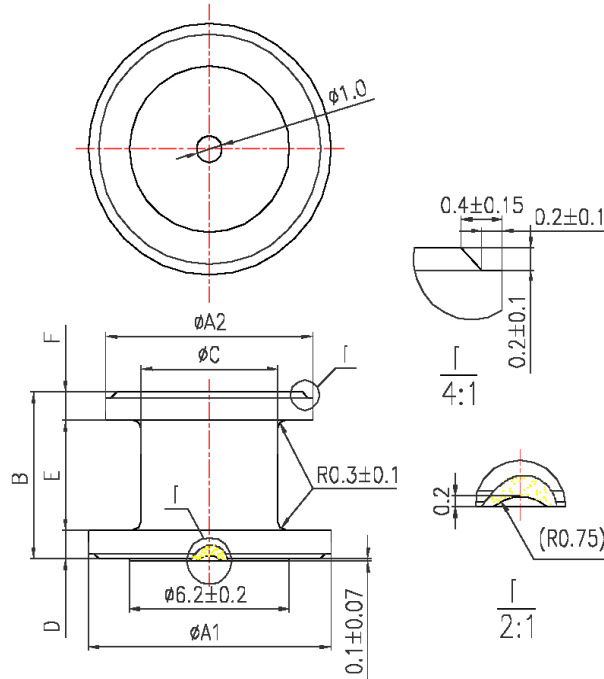




# I cores

Ia9. 4X5. 3X6. 2



## CORE SETS

### CORE DIMENSIONS (mm)

| Dimensions (mm) |             |               |               |                |               |                | Weight (g) |
|-----------------|-------------|---------------|---------------|----------------|---------------|----------------|------------|
| $\Phi A1$       | $\Phi A2$   | B             | $\Phi C$      | D              | E             | F              |            |
| $9.4 \pm 0.2$   | $8.0 \pm 1$ | $6.2 \pm 0.2$ | $5.3 \pm 0.1$ | $1.05 \pm 0.1$ | $4.1 \pm 0.2$ | $1.05 \pm 0.1$ | 1.12       |

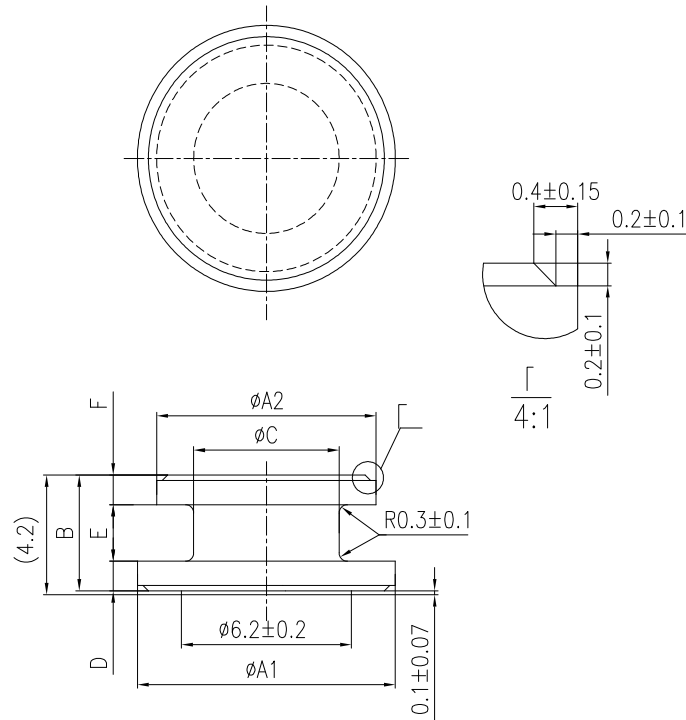
### Characteristic

| Grade | $L (\mu H)$     | $L_{5.0A} (\mu H)$                              |
|-------|-----------------|---|
|       |                 | $f=100kHz$<br>$U=1.0V$<br>$N=20Ts, \Phi 0.5 mm$ |
| DN30L | $15.5 \pm 20\%$ | $\geq 90\% \times L_{0A}$                       |
|       |                 |   |
|       |                 |   |
|       |                 |   |



# I cores

Ia9. 4X5. 2X4. 2



## CORE SETS

### CORE DIMENSIONS (mm)

| Dimensions (mm) |                |               |               |                |               |                | Weight (g) |
|-----------------|----------------|---------------|---------------|----------------|---------------|----------------|------------|
| $\Phi A1$       | $\Phi A2$      | B             | $\Phi C$      | D              | E             | F              |            |
| $9.4 \pm 0.15$  | $8.0 \pm 0.08$ | $4.2 \pm 0.1$ | $5.2 \pm 0.1$ | $1.05 \pm 0.1$ | $2.1 \pm 0.2$ | $1.05 \pm 0.1$ | 0.88       |

### Characteristic

| Grade | $L (\mu H)$   | $L_{4.0A} (\mu H)$        |
|-------|---|---------------------------|
|       | $f=100kHz$<br>$U=1.0V$<br>$N=20Ts, \Phi 0.2 \text{ mm}$ |                           |
| DN30L | $20.5 \pm 20\%$   | $\geq 90\% \times L_{0A}$ |
|       |   |                           |
|       |   |                           |
|       |   |                           |