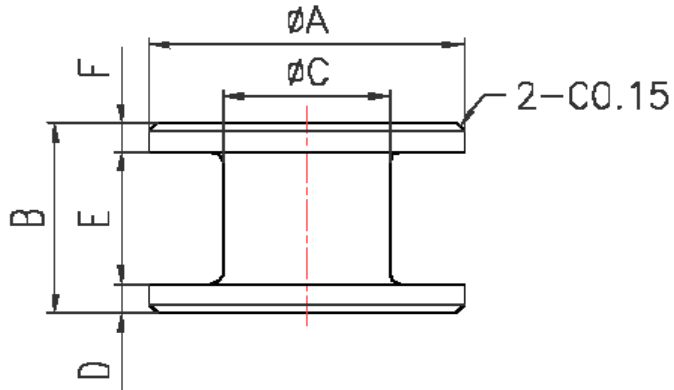




I cores

I10X3.45X11



CORE SETS

CORE DIMENSIONS (mm)

| Dimensions (mm) | | | | | | Weight (g) |
|--------------------|----------------|-----------------|---------------|---------------|---------------|------------|
| ϕA | B | ϕC | D | E | F | |
| $10.0^{+0}_{-0.4}$ | 11.0 ± 0.3 | 3.45 ± 0.15 | 2.9 ± 0.2 | 5.2 ± 0.2 | 2.9 ± 0.2 | 2.62 |

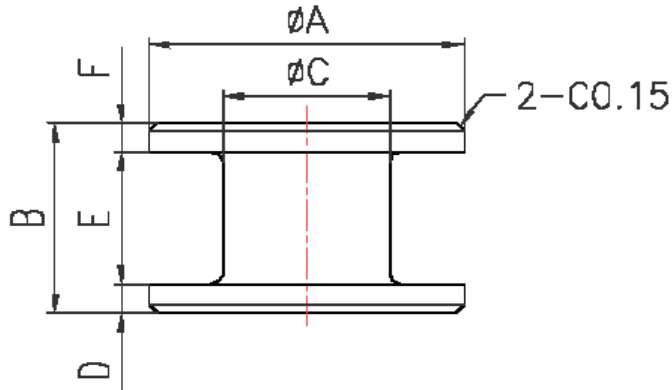
Characteristic

| Grade | $L (\mu H)$ | $L_{3.0A} (\mu H)$ |
|-------|---------------|--|
| | | $f=100kHz$ $U=1.0V$ $N=20Ts, \phi 0.35 \text{ mm}$ |
| DN35H | $20 \pm 20\%$ | $\geq 90\% \times L_{0A}$ |
| | | |
| | | |
| | | |



I cores

I10X3.5X6.5



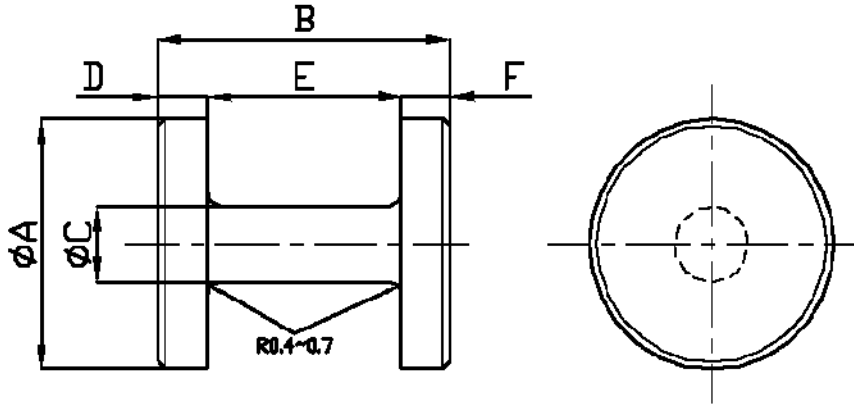
CORE SETS

CORE DIMENSIONS (mm)

| Dimensions (mm) | | | | | | Weight (g) |
|-----------------|---------------|---------------|----------------|---------------|----------------|------------|
| ϕA | B | ϕC | D | E | F | |
| 10.0 ± 0.2 | 6.5 ± 0.3 | 3.5 ± 0.2 | 1.25 ± 0.2 | 4.0 ± 0.2 | 1.25 ± 0.2 | 1.22 |

Characteristic

| Grade | $L (\mu H)$ | $L_{4.0A} (\mu H)$ |
|-------|---------------|--|
| | | $f=100kHz$ $U=1.0V$ $N=20Ts, \Phi 0.35 \text{ mm}$ |
| DN35H | $17 \pm 20\%$ | $\geq 90\% \times L_{0A}$ |
| | | |
| | | |
| | | |


CORE SETS
CORE DIMENSIONS (mm)

| Dimensions (mm) | | | | | | Weight (g) |
|-----------------|----------|---------|---------|---------|---------|------------|
| φA | B | φC | D | E | F | |
| 10.0±0.2 | 12.0±0.2 | 3.0±0.2 | 2.0±0.2 | 8.0±0.2 | 2.0±0.2 | 1.93 |

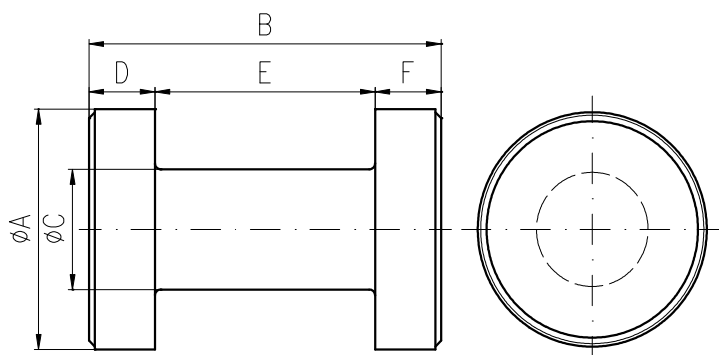
Characteristic

| Grade | L (μH) | L _{4.0A} (μH) |
|-------|--|------------------------|
| | f=100kHz U=1.0V N=20Ts, Φ0.35 mm | |
| DN35H | 16.5±20% | ≥90% X L _{0A} |
| DN65H | 17.5±20% | ≥85% X L _{0A} |
| | | |
| | | |



I cores

I10X3X16



CORE SETS

CORE DIMENSIONS (mm)

| Dimensions (mm) | | | | | | Weight (g) |
|-----------------|----------------|---------------|---------------|----------------|---------------|------------|
| ϕA | B | ϕC | D | E | F | |
| 10.0 ± 0.2 | 16.0 ± 0.3 | 3.0 ± 0.2 | 2.0 ± 0.2 | 12.0 ± 0.2 | 2.0 ± 0.2 | 2.07 |

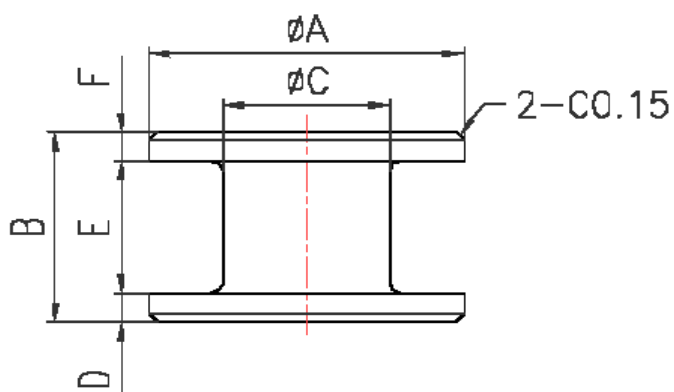
Characteristic

| Grade | $L (\mu H)$ | $L_{4.0A} (\mu H)$ |
|-------|-----------------|---|
| | | $f=100kHz$ $U=1.0V$ $N=20T_s, \Phi 0.35 \text{ mm}$ |
| DN65H | $18.5 \pm 20\%$ | $\geq 90\% \times L_{0A}$ |
| | | |
| | | |
| | | |



I cores

I10X4.25X10



CORE SETS

CORE DIMENSIONS (mm)

| Dimensions (mm) | | | | | | Weight (g) |
|--------------------|-----------------|-----------------|---------------|---------------|---------------|------------|
| ϕA | B | ϕC | D | E | F | |
| $10.0^{+0}_{-0.4}$ | 10.0 ± 0.25 | 4.25 ± 0.15 | 2.4 ± 0.2 | 5.2 ± 0.2 | 2.4 ± 0.2 | 2.34 |

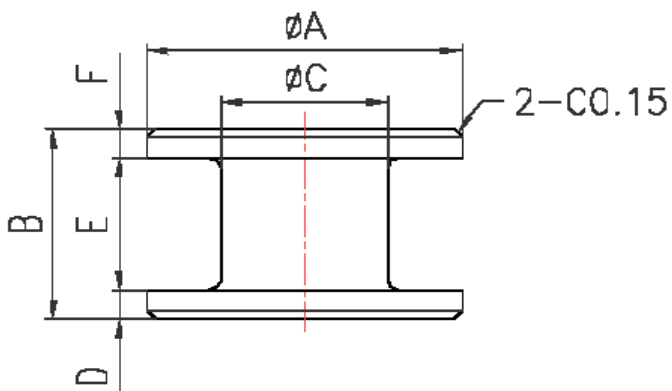
Characteristic

| Grade | $L (\mu H)$ | $L_{3.0A} (\mu H)$ |
|-------|-----------------|--|
| | | $f=100kHz$ $U=1.0V$ $N=20Ts, \Phi 0.35 \text{ mm}$ |
| DN35H | $19.5 \pm 20\%$ | $\geq 90\% \times L_{0A}$ |
| | | |
| | | |
| | | |



I cores

I10X4.25X12



CORE SETS

CORE DIMENSIONS (mm)

| Dimensions (mm) | | | | | | Weight (g) |
|--------------------|-----------------|-----------------|---------------|---------------|---------------|------------|
| ϕA | B | ϕC | D | E | F | |
| $10.0^{+0}_{-0.4}$ | 12.0 ± 0.25 | 4.25 ± 0.15 | 2.3 ± 0.2 | 7.4 ± 0.2 | 2.3 ± 0.2 | 2.42 |

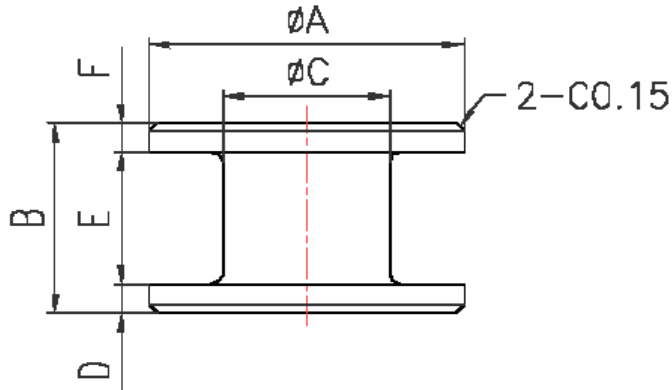
Characteristic

| Grade | $L (\mu H)$ | $L_{3.0A} (\mu H)$ |
|-------|---------------|---|
| | | $f=100kHz$ $U=1.0V$ $N=20T_s, \Phi 0.35 \text{ mm}$ |
| DN35H | $19 \pm 20\%$ | $\geq 90\% \times L_{0A}$ |
| | | |
| | | |
| | | |



I cores

I10X4.8X5.2



CORE SETS

CORE DIMENSIONS (mm)

| Dimensions (mm) | | | | | | Weight (g) |
|-----------------|---------------|---------------|----------------|---------------|----------------|------------|
| ϕA | B | ϕC | D | E | F | |
| 10.0 ± 0.1 | 5.2 ± 0.1 | 4.8 ± 0.1 | 1.15 ± 0.1 | 2.9 ± 0.1 | 1.15 ± 0.1 | 1.21 |

Characteristic

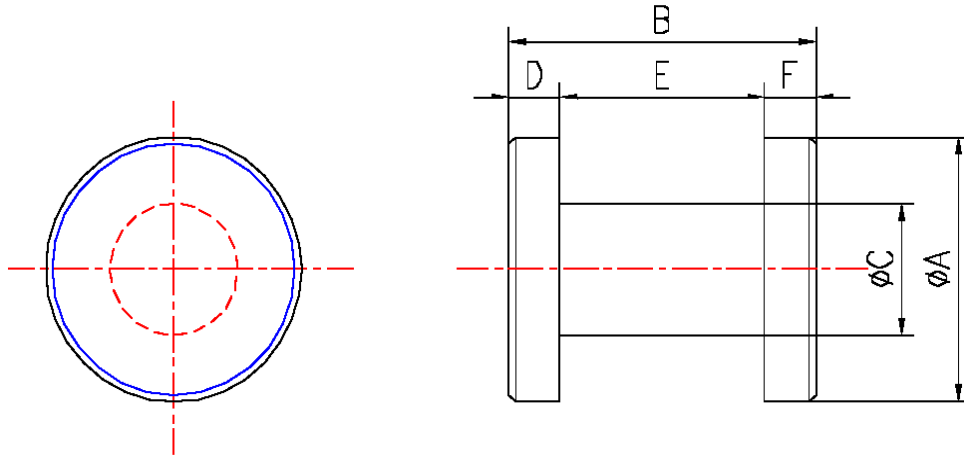
| Grade | $L (\mu H)$ | $L_{4.0A} (\mu H)$ |
|-------|---------------|--|
| | | $f=100kHz$ $U=1.0V$ $N=20Ts, \Phi 0.35 \text{ mm}$ |
| DN30L | $21 \pm 20\%$ | $\geq 90\% \times L_{0A}$ |
| | | |
| | | |
| | | |



I cores

I10X4X11

ORDERING CODE SYSTEM



CORE SETS

CORE DIMENSIONS (mm)

| Dimensions (mm) | | | | | | Weight (g) |
|-----------------|----------------|---------------|---------------|---------------|---------------|------------|
| ϕA | B | ϕC | D | E | F | |
| 10.0 ± 0.2 | 11.0 ± 0.3 | 4.0 ± 0.2 | 2.0 ± 0.2 | 7.0 ± 0.3 | 2.0 ± 0.2 | 2.09 |

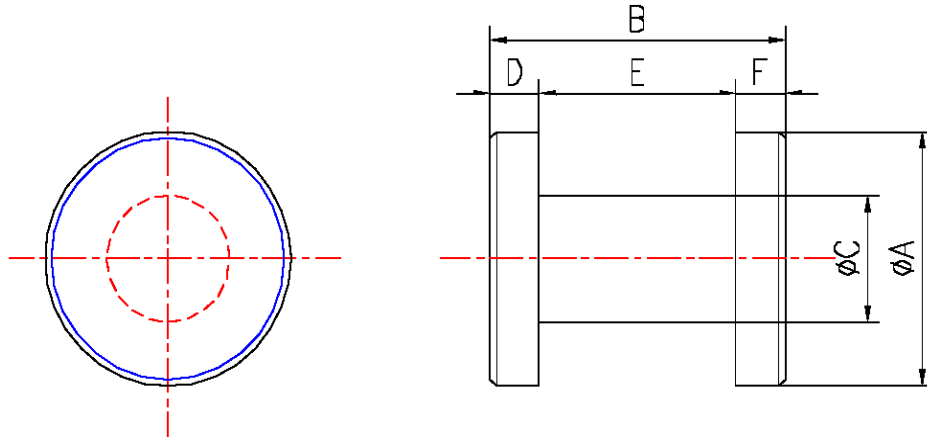
Characteristic

| Grade | $L (\mu H)$ | $L_{4.0A} (\mu H)$ |
|-------|---------------|---|
| | | $f=100kHz$ $U=1.0V$ $N=20T_s, \Phi 0.35 \text{ mm}$ |
| DN35H | $15 \pm 20\%$ | $\geq 90\% \times L_{0A}$ |
| | | |
| | | |
| | | |



I cores

I10X4X12



CORE SETS

CORE DIMENSIONS (mm)

| Dimensions (mm) | | | | | | Weight (g) |
|-----------------|----------------|----------------|---------------|---------------|---------------|------------|
| ϕA | B | ϕC | D | E | F | |
| 10.0 ± 0.2 | 12.0 ± 0.3 | 4.0 ± 0.15 | 2.3 ± 0.2 | 7.4 ± 0.2 | 2.3 ± 0.2 | 2.36 |

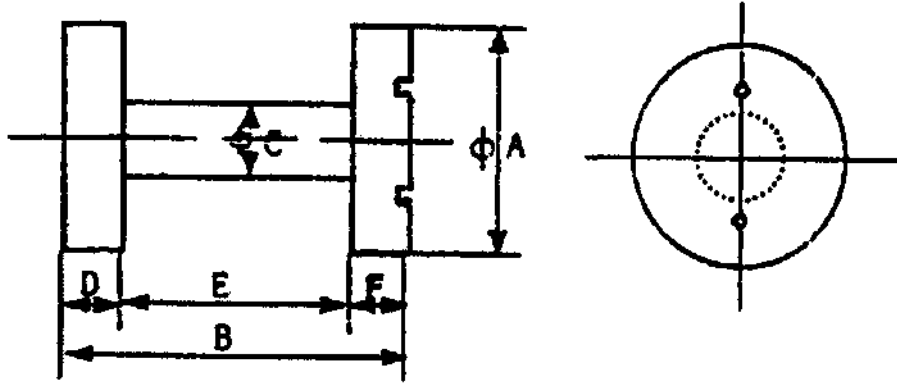
Characteristic

| Grade | $L (\mu H)$ | $L_{4.0A} (\mu H)$ |
|-------|-----------------|---|
| | | $f=100kHz$ $U=1.0V$ $N=20T_s, \phi 0.35 \text{ mm}$ |
| DN35H | $16.0 \pm 20\%$ | $\geq 90\% \times L_{0A}$ |
| | | |
| | | |
| | | |



I cores

I10X4X13



CORE SETS

CORE DIMENSIONS (

| Dimensions (mm) | | | | | | Weight (g) |
|-----------------|----------------|---------------|---------------|---------------|---------------|------------|
| ϕA | B | ϕC | D | E | F | |
| 10.0 ± 0.3 | 13.0 ± 0.3 | 4.0 ± 0.2 | 2.5 ± 0.2 | 8.0 ± 0.3 | 2.5 ± 0.2 | 2.56 |

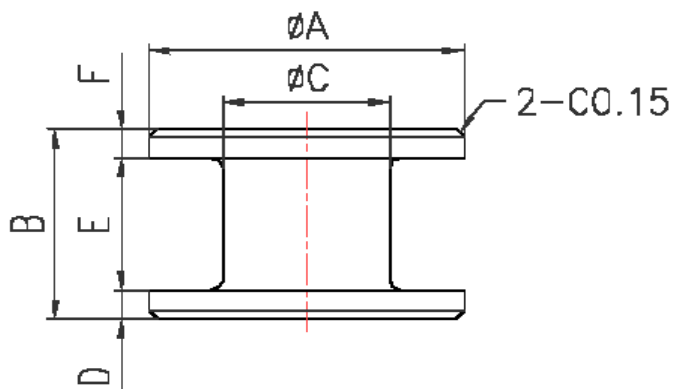
Characteristic

| Grade | $L (\mu H)$ | $L_{3.0A} (\mu H)$ |
|-------|-----------------|---|
| | | $f=100kHz$ $U=1.0V$ $N=20Ts, \Phi 0.5 mm$ |
| DN65H | $16.0 \pm 20\%$ | $\geq 90\% \times L_{0A}$ |
| | | |
| | | |
| | | |



I cores

I10X4X15



CORE SETS

CORE DIMENSIONS (mm)

| Dimensions (mm) | | | | | | Weight (g) |
|-----------------|----------------|---------------|----------------|----------------|----------------|------------|
| ϕA | B | ϕC | D | E | F | |
| 10.0 ± 0.15 | 15.0 ± 0.2 | 4.0 ± 0.1 | 2.6 ± 0.15 | 9.8 ± 0.15 | 2.6 ± 0.15 | 2.76 |

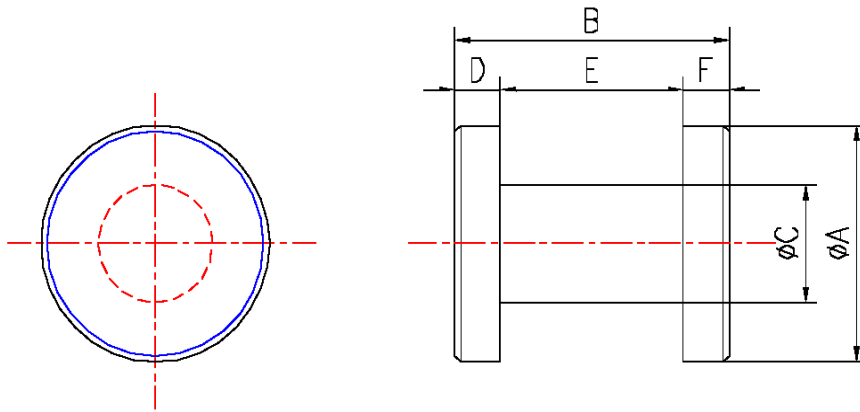
Characteristic

| Grade | $L (\mu H)$ | $L_{4.0A} (\mu H)$ |
|-------|-----------------|---|
| | | $f=100kHz$ $U=1.0V$ $N=20T_s, \Phi 0.35 \text{ mm}$ |
| DN65H | $16.5 \pm 20\%$ | $\geq 85\% \times L_{0A}$ |
| DN35H | $15 \pm 20\%$ | $\geq 90\% \times L_{0A}$ |
| | | |
| | | |



I cores

I10X5.2X12.2



CORE SETS

CORE DIMENSIONS (mm)

| Dimensions (mm) | | | | | | Weight (g) |
|-----------------|----------------|-------------------|---------------|---------------|---------------|------------|
| ϕA | B | ϕC | D | E | F | |
| 10.0 ± 0.2 | 12.2 ± 0.2 | $5.2^{+0.3}_{-0}$ | 2.6 ± 0.2 | 7.0 ± 0.2 | 2.6 ± 0.2 | 2.9 |

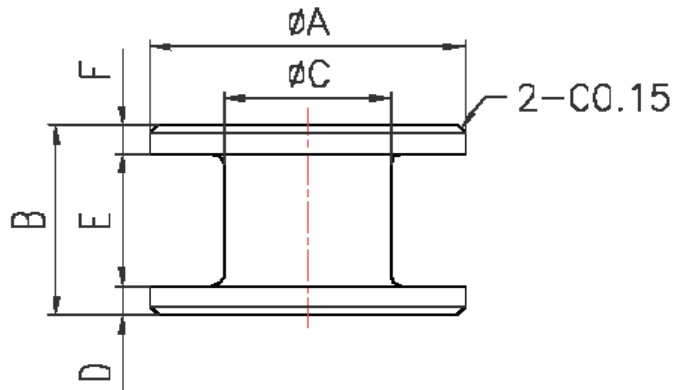
Characteristic

| Grade | $L (\mu H)$ | $L_{4.0A} (\mu H)$ |
|-------|---------------|--|
| | | $f=100kHz$ $U=1.0V$ $N=20Ts, \Phi 0.35 \text{ mm}$ |
| DN35H | $18 \pm 20\%$ | $\geq 90\% \times L_{0A}$ |
| | | |
| | | |
| | | |



I cores

I10X5.2X5.2



CORE SETS

CORE DIMENSIONS (mm)

| Dimensions (mm) | | | | | | Weight (g) |
|------------------|---------------|---------------|----------------|----------------|----------------|------------|
| ϕA | B | ϕC | D | E | F | |
| $10^{+0}_{-0.2}$ | 5.2 ± 0.2 | 5.2 ± 0.1 | 1.1 ± 0.15 | 3.0 ± 0.15 | 1.1 ± 0.15 | 1.23 |

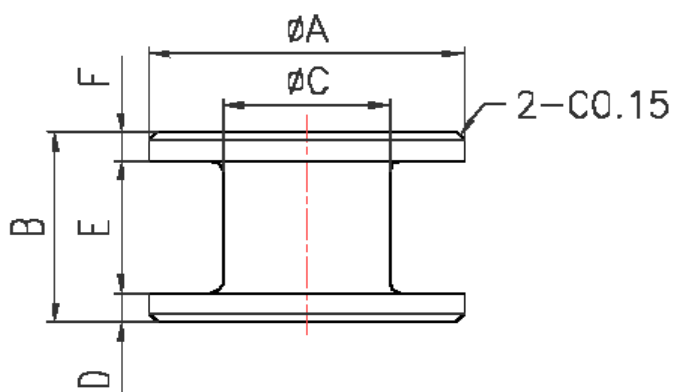
Characteristic

| Grade | $L (\mu H)$ | $L_{4.0A} (\mu H)$ |
|-------|---------------|--|
| | | $f=100kHz$ $U=1.0V$ $N=20Ts, \Phi 0.35 \text{ mm}$ |
| DN35H | $21 \pm 20\%$ | $\geq 90\% \times L_{0A}$ |
| | | |
| | | |
| | | |



I cores

I10X5X3.8



CORE SETS

CORE DIMENSIONS (mm)

| Dimensions (mm) | | | | | | Weight (g) |
|------------------|----------------|----------------|----------------|----------------|----------------|------------|
| ϕA | B | ϕC | D | E | F | |
| $10^{+0}_{-0.2}$ | 3.8 ± 0.15 | 5.0 ± 0.15 | 0.9 ± 0.15 | 2.0 ± 0.15 | 0.9 ± 0.15 | 0.94 |

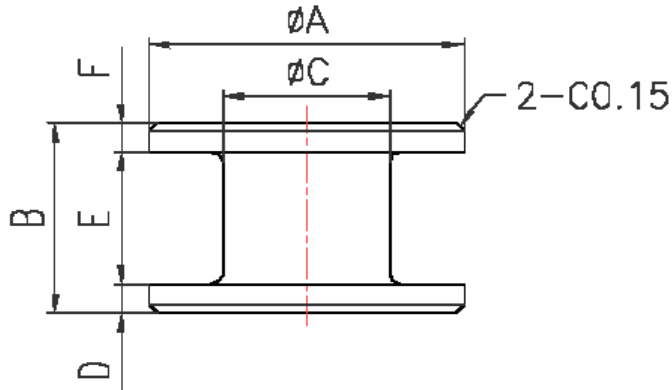
Characteristic

| Grade | $L (\mu H)$ | $L_{3.0A} (\mu H)$ |
|-------|---------------|--|
| | | $f=100kHz$ $U=1.0V$ $N=20Ts, \Phi 0.35 \text{ mm}$ |
| DN35H | $25 \pm 20\%$ | $\geq 90\% \times L_{0A}$ |
| DN40L | $26 \pm 20\%$ | $\geq 90\% \times L_{0A}$ |
| | | |
| | | |



I cores

I10X5X7



CORE SETS

CORE DIMENSIONS (mm)

| Dimensions (mm) | | | | | | Weight (g) |
|-----------------|---------------|---------------|---------------|---------------|---------------|------------|
| ϕA | B | ϕC | D | E | F | |
| 10.0 ± 0.2 | 7.0 ± 0.3 | 5.0 ± 0.2 | 1.5 ± 0.2 | 4.0 ± 0.2 | 1.5 ± 0.2 | 1.63 |

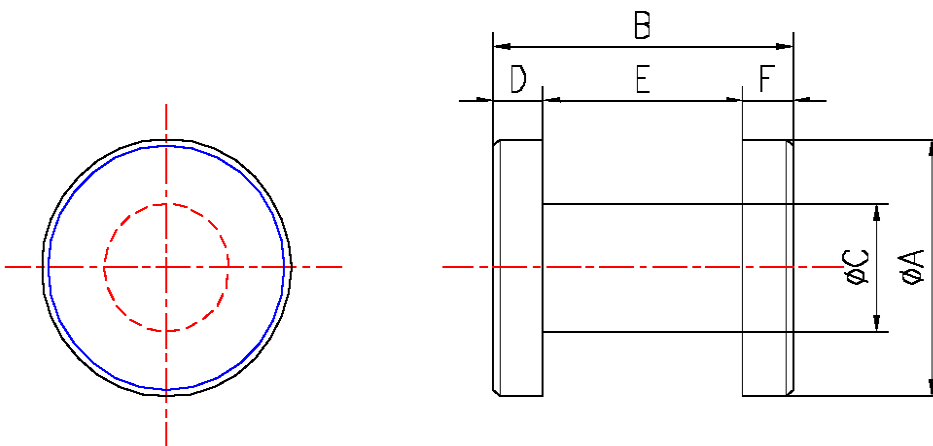
Characteristic

| Grade | $L (\mu H)$ | $L_{3.0A} (\mu H)$ |
|-------|---------------|--|
| | | $f=100kHz$ $U=1.0V$ $N=20Ts, \phi 0.35 \text{ mm}$ |
| DN35H | $18 \pm 20\%$ | $\geq 90\% \times L_{0A}$ |
| | | |
| | | |
| | | |



I cores

I10X6.3X9.1



CORE SETS

CORE DIMENSIONS (mm)

| Dimensions (mm) | | | | | | Weight (g) |
|-----------------|---------------|---------------|---------------|---------------|---------------|------------|
| ϕA | B | ϕC | D | E | F | |
| 10.0 ± 0.1 | 9.1 ± 0.1 | 6.3 ± 0.1 | 1.2 ± 0.1 | 6.7 ± 0.1 | 1.2 ± 0.1 | 2.07 |

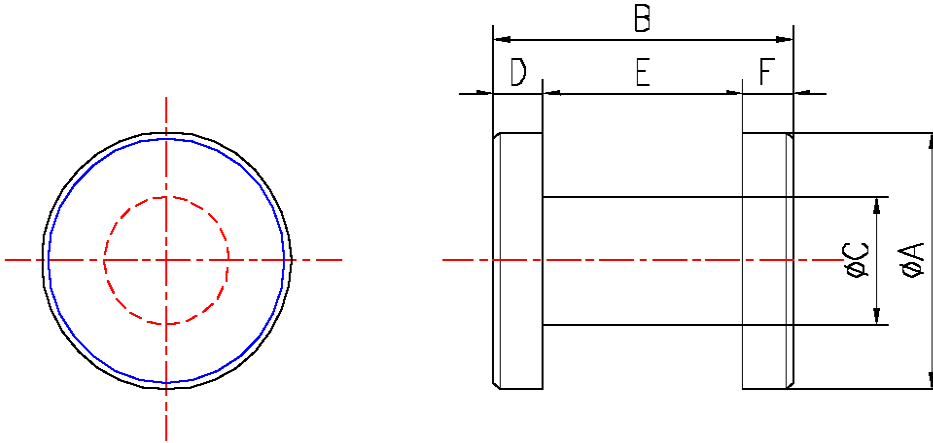
Characteristic

| Grade | $L (\mu H)$ | $L_{5.0A} (\mu H)$ |
|-------|-----------------|---|
| | | $f=100kHz$ $U=1.0V$ $N=20T_s, \Phi 0.35 \text{ mm}$ |
| DN40L | $16.5 \pm 20\%$ | $\geq 90\% \times L_{0A}$ |
| | | |
| | | |
| | | |



I cores

I10X6X16



CORE SETS

CORE DIMENSIONS (mm)

| Dimensions (mm) | | | | | | Weight (g) |
|-----------------|----------------|----------------|-----------------|-----------------|-----------------|------------|
| ϕA | B | ϕC | D | E | F | |
| 10.0 ± 0.2 | 16.0 ± 0.5 | 6.0 ± 0.15 | 2.75 ± 0.15 | 10.5 ± 0.15 | 2.75 ± 0.15 | 3.79 |

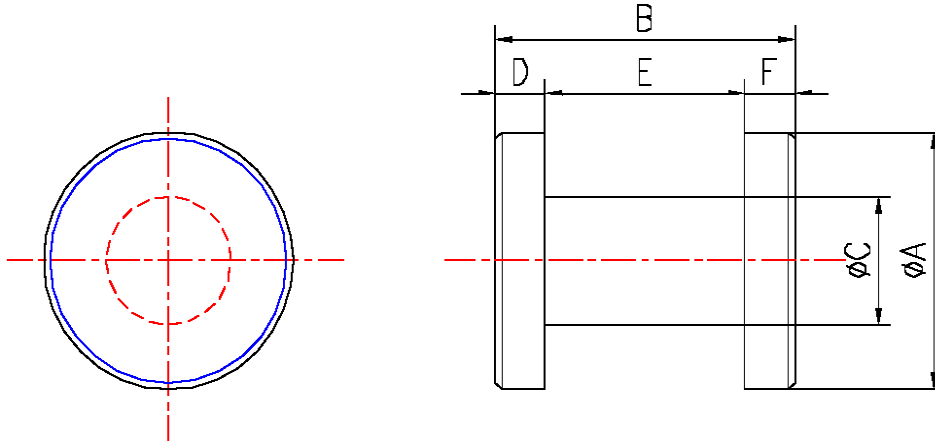
Characteristic

| Grade | $L (\mu H)$ | $L_{4.0A} (\mu H)$ |
|-------|---------------|---|
| | | $f=100kHz$ $U=1.0V$ $N=20Ts, \phi 0.5 mm$ |
| DN65H | $17 \pm 20\%$ | $\geq 90\% \times L_{0A}$ |
| | | |
| | | |
| | | |



I cores

I10X6X7.1



CORE SETS

CORE DIMENSIONS (mm)

| Dimensions (mm) | | | | | | Weight (g) |
|-----------------|---------------|---------------|---------------|---------------|---------------|------------|
| ϕA | B | ϕC | D | E | F | |
| 10.0 ± 0.1 | 7.1 ± 0.1 | 6.0 ± 0.1 | 1.1 ± 0.1 | 4.9 ± 0.1 | 1.1 ± 0.1 | 1.62 |

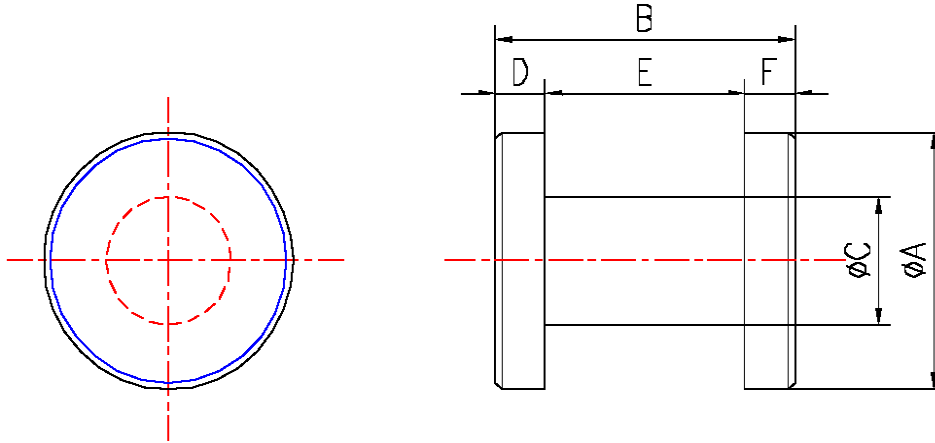
Characteristic

| Grade | $L (\mu H)$ | $L_{5.0A} (\mu H)$ |
|-------|---------------|--|
| | | $f=100kHz$ $U=1.0V$ $N=20T_s, \Phi 0.5 \text{ mm}$ |
| DN30L | $19 \pm 20\%$ | $\geq 90\% \times L_{0A}$ |
| DN85H | $20 \pm 20\%$ | $\geq 85\% \times L_{0A}$ |
| | | |
| | | |



I cores

I11. 7X6. 3X4. 9



CORE SETS

CORE DIMENSIONS (mm)

| Dimensions (mm) | | | | | | Weight (g) |
|-----------------|----------------|----------------|-----------------|----------------|-----------------|------------|
| ϕA | B | ϕC | D | E | F | |
| 11.9 ± 0.15 | 4.9 ± 0.15 | 6.3 ± 0.15 | 1.15 ± 0.15 | 2.6 ± 0.15 | 1.15 ± 0.15 | 1.75 |

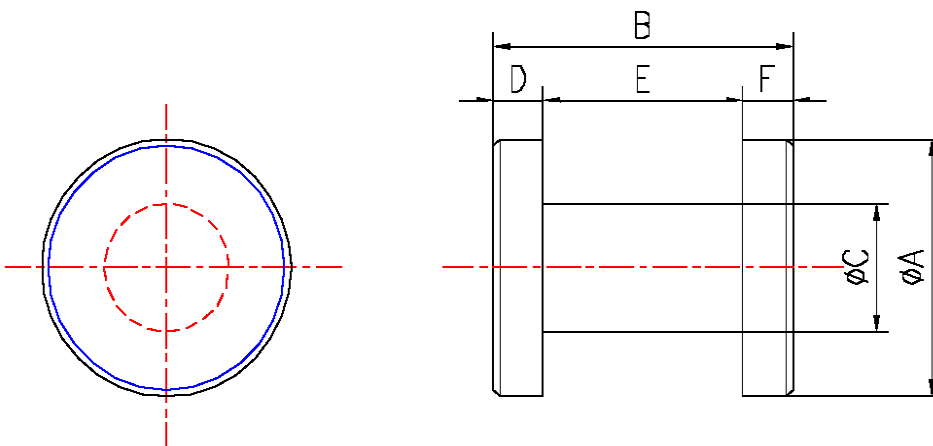
Characteristic

| Grade | $L (\mu H)$ | $L_{3.0A} (\mu H)$ |
|-------|---------------|---|
| | | $f=100kHz$ $U=1.0V$ $N=20T_s, \phi 0.35 \text{ mm}$ |
| DMR40 | $27 \pm 20\%$ | $\geq 85\% \times L_{0A}$ |
| DN40B | $25 \pm 20\%$ | $\geq 75\% \times L_{0A}$ |
| | | |
| | | |



I cores

I11. 7X6. 5X4. 9



CORE SETS

CORE DIMENSIONS (mm)

| Dimensions (mm) | | | | | | Weight (g) |
|-----------------|---------------|---------------|----------------|---------------|----------------|------------|
| ϕA | B | ϕC | D | E | F | |
| 11.7 ± 0.2 | 4.9 ± 0.1 | 6.5 ± 0.1 | 1.15 ± 0.1 | 2.6 ± 0.1 | 1.15 ± 0.1 | 1.73 |

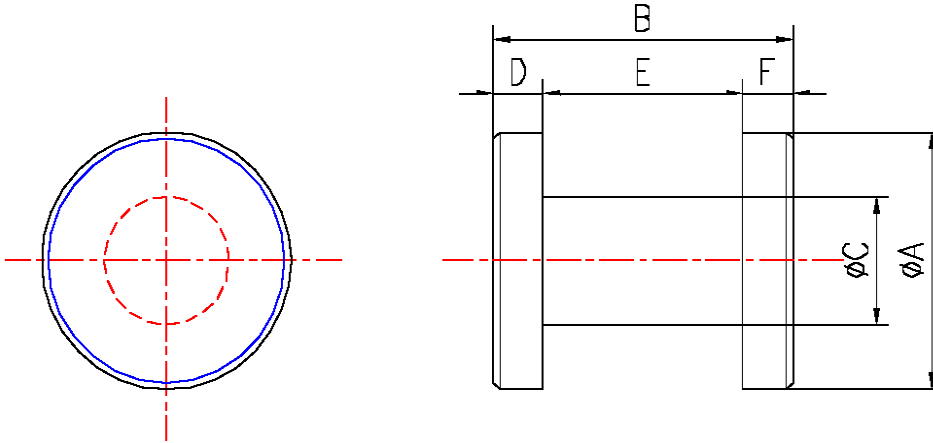
Characteristic

| Grade | $L (\mu H)$ | $L_{3.0A} (\mu H)$ |
|-------|---------------|---|
| | | $f=100kHz$ $U=1.0V$ $N=20T_s, \Phi 0.35 \text{ mm}$ |
| DMR40 | $25 \pm 20\%$ | $\geq 80\% \times L_{0A}$ |
| | | |
| | | |
| | | |



I cores

I12. 5X5. 4X5. 45



CORE SETS

CORE DIMENSIONS (mm)

| Dimensions (mm) | | | | | | Weight (g) |
|-----------------|----------------|---------------|-----------------|----------------|-----------------|------------|
| ϕA | B | ϕC | D | E | F | |
| 12.5 ± 0.3 | 5.45 ± 0.2 | 5.4 ± 0.2 | 1.15 ± 0.15 | 3.15 ± 0.2 | 1.15 ± 0.15 | 1.84 |

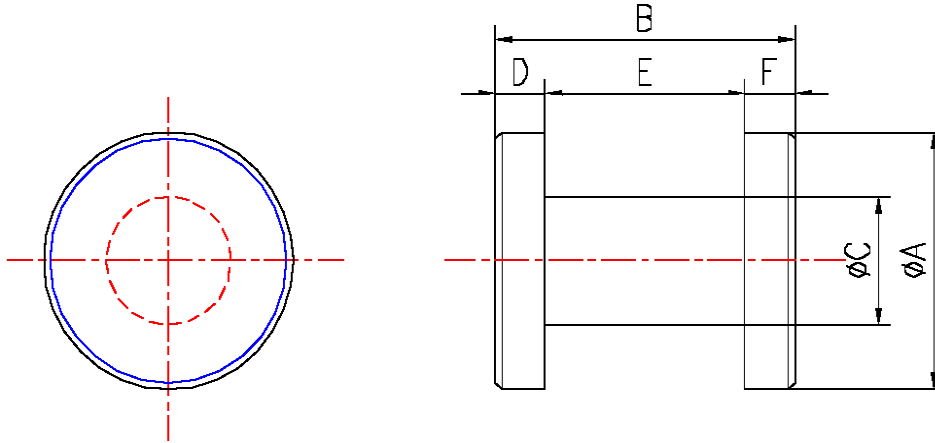
Characteristic

| Grade | $L (\mu H)$ | $L_{5.0A} (\mu H)$ |
|-------|---------------|--|
| | | $f=100kHz$ $U=1.0V$ $N=20T_s, \Phi 0.5 \text{ mm}$ |
| DMR24 | $25 \pm 20\%$ | $\geq 90\% \times L_{0A}$ |
| | | |
| | | |
| | | |



I cores

I12. 7X5. 5X10. 2



CORE SETS

CORE DIMENSIONS (mm)

| Dimensions (mm) | | | | | | Weight (g) |
|-----------------|----------------|---------------|----------------|---------------|----------------|------------|
| ϕA | B | ϕC | D | E | F | |
| 12.7 ± 0.3 | 10.2 ± 0.3 | 5.5 ± 0.2 | 1.35 ± 0.2 | 7.5 ± 0.3 | 1.35 ± 0.2 | 2.7 |

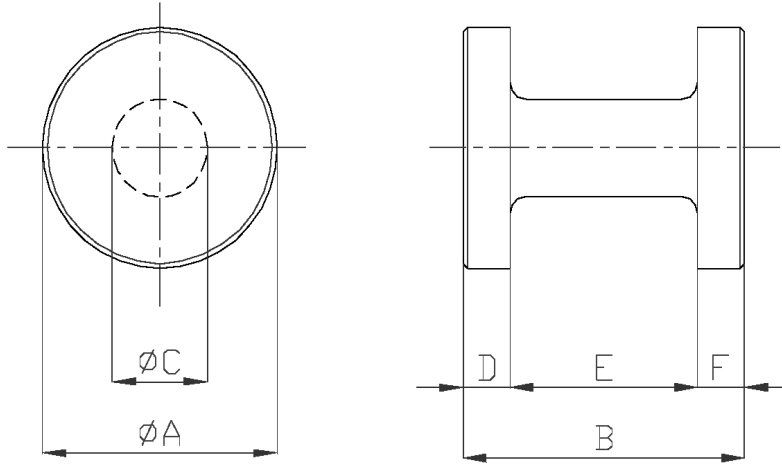
Characteristic

| Grade | $L (\mu H)$ | $L_{3.0A} (\mu H)$ |
|-------|-----------------|---|
| | | $f=100kHz$ $U=1.0V$ $N=20T_s, \Phi 0.35 \text{ mm}$ |
| DMR40 | $21.5 \pm 20\%$ | $\geq 90\% \times L_{0A}$ |
| | | |
| | | |
| | | |



I cores

I12. 7X5. 8X5. 6



CORE SETS

CORE DIMENSIONS (mm)

| Dimensions (mm) | | | | | | Weight (g) |
|-----------------|---------------|---------------|----------------|----------------|----------------|------------|
| ϕA | B | ϕC | D | E | F | |
| 12.7 ± 0.2 | 5.6 ± 0.2 | 5.8 ± 0.2 | 1.3 ± 0.15 | 3.2 ± 0.15 | 1.3 ± 0.15 | 2.15 |

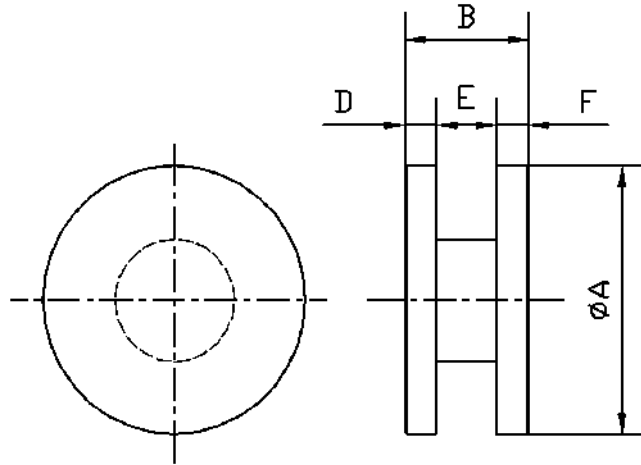
Characteristic

| Grade | $L (\mu H)$ | $L_{2.0A} (\mu H)$ |
|-------|---------------|---|
| | | $f=100kHz$ $U=1.0V$ $N=20T_s, \Phi 0.35 \text{ mm}$ |
| DMR40 | $28 \pm 20\%$ | $\geq 90\% \times L_{0A}$ |
| | | |
| | | |
| | | |



I cores

I12. 7X5. 8X5. 8



CORE SETS

CORE DIMENSIONS (mm)

| Dimensions (mm) | | | | | | Weight (g) |
|----------------------|---------------|---------------|----------------|---------------|----------------|------------|
| ϕA | B | ϕC | D | E | F | |
| $12.7^{+0.2}_{-0.3}$ | 5.8 ± 0.3 | 5.8 ± 0.2 | 1.45 ± 0.2 | 2.9 ± 0.2 | 1.45 ± 0.2 | 2.31 |

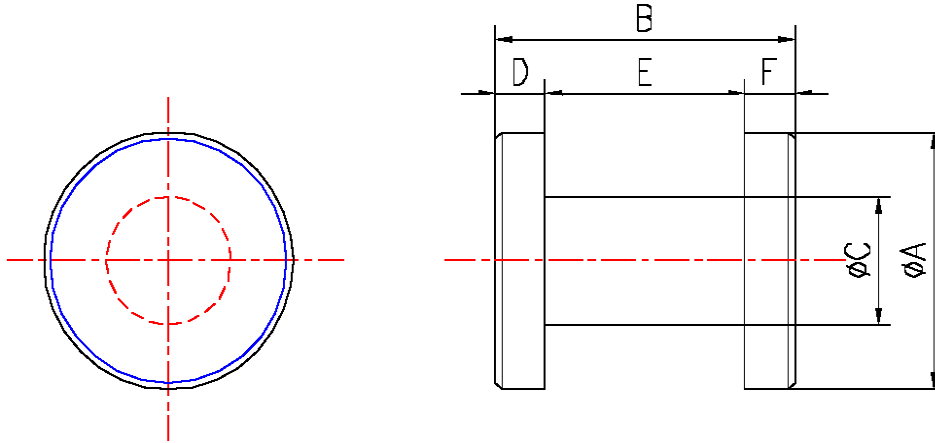
Characteristic

| Grade | $L (\mu H)$ | $L_{2.0A} (\mu H)$ |
|-------|---------------|--|
| | | $f=100kHz$ $U=1.0V$ $N=20Ts, \Phi 0.35 \text{ mm}$ |
| DMR40 | $30 \pm 20\%$ | $\geq 90\% \times L_{0A}$ |
| | | |
| | | |
| | | |



I cores

I12. 7X5. 9X5. 8



CORE SETS

CORE DIMENSIONS (mm)

| Dimensions (mm) | | | | | | Weight (g) |
|-----------------|---------------|---------------------|-----------------|-------------------|-----------------|------------|
| ϕA | B | ϕC | D | E | F | |
| 12.7 ± 0.2 | 5.8 ± 0.2 | $5.9^{+0.3}_{-0.1}$ | 1.25 ± 0.15 | $3.3^{+0.2}_{-0}$ | 1.25 ± 0.15 | 2.11 |

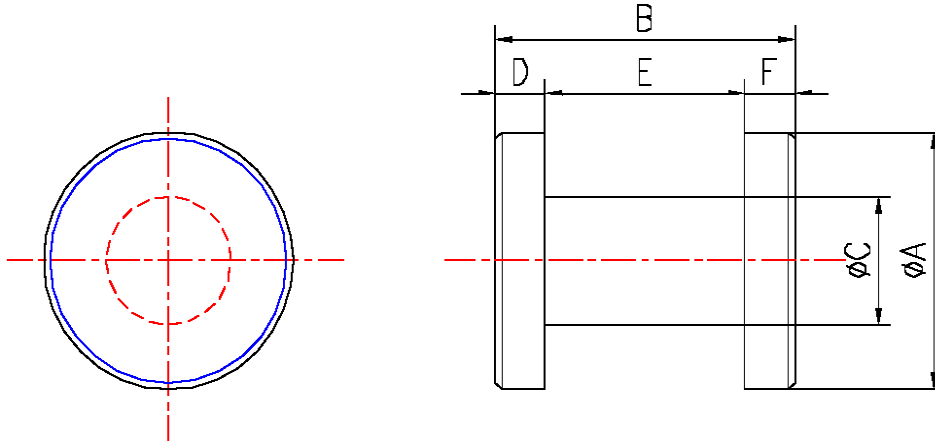
Characteristic

| Grade | $L (\mu H)$ | $L_{5.0A} (\mu H)$ |
|-------|---------------|---|
| | | $f=100kHz$ $U=1.0V$ $N=20Ts, \Phi 0.5 \text{ mm}$ |
| DN35H | $22 \pm 20\%$ | $\geq 70\% \times L_{0A}$ |
| DMR40 | $30 \pm 20\%$ | $\geq 80\% \times L_{0A}$ |
| | | |
| | | |



I cores

I12X4.5X15



CORE SETS

CORE DIMENSIONS (mm)

| Dimensions (mm) | | | | | | Weight (g) |
|-----------------|----------------|---------------|---------------|----------------|---------------|------------|
| ϕA | B | ϕC | D | E | F | |
| 12.0 ± 0.3 | 15.0 ± 0.3 | 4.5 ± 0.2 | 2.5 ± 0.2 | 10.0 ± 0.3 | 2.5 ± 0.2 | 3.77 |

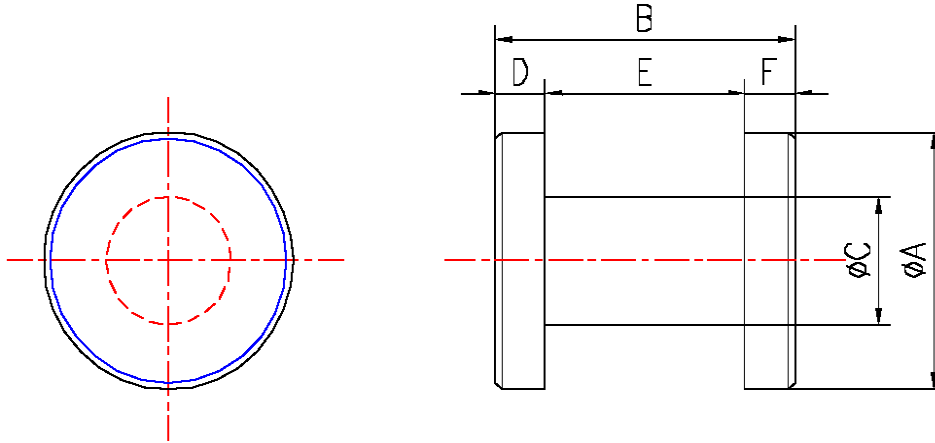
Characteristic

| Grade | $L (\mu H)$ | $L_{5.0A} (\mu H)$ |
|-------|---------------|--|
| | | $f=100kHz$ $U=1.0V$ $N=20T_s, \Phi 0.5 \text{ mm}$ |
| DN35H | $20 \pm 20\%$ | $\geq 90\% \times L_{0A}$ |
| | | |
| | | |
| | | |



I cores

I12X5.5X20



CORE SETS

CORE DIMENSIONS (mm)

| Dimensions (mm) | | | | | | Weight (g) |
|-----------------|----------------|----------------|---------------|----------------|---------------|------------|
| ϕA | B | ϕC | D | E | F | |
| 12.0 ± 0.2 | 20.0 ± 0.3 | 5.5 ± 0.15 | 2.8 ± 0.2 | 14.4 ± 0.2 | 2.8 ± 0.2 | 5.1 |

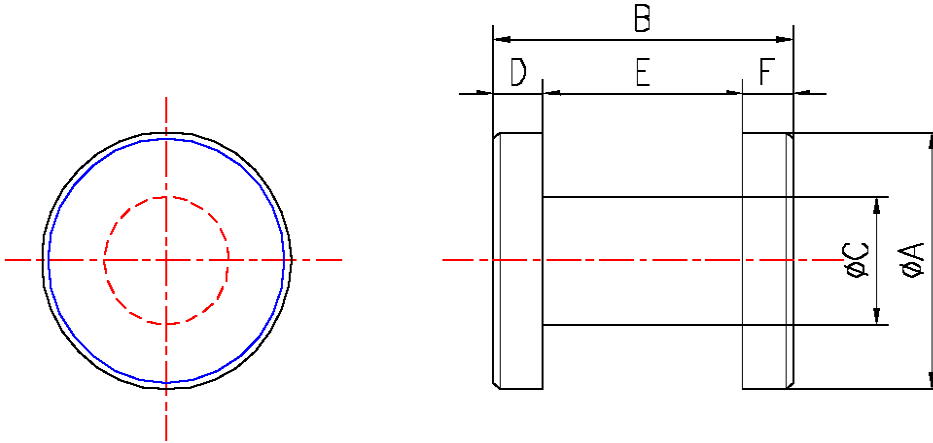
Characteristic

| Grade | $L (\mu H)$ | $L_{5.0A} (\mu H)$ |
|-------|---------------|---|
| | | $f=100kHz$ $U=1.0V$ $N=20Ts, \Phi 0.5 mm$ |
| DN65H | $14 \pm 20\%$ | $\geq 90\% \times L_{0A}$ |
| | | |
| | | |
| | | |



I cores

I12X6X20



CORE SETS

CORE DIMENSIONS (mm)

| Dimensions (mm) | | | | | | Weight (g) |
|-----------------|----------------|---------------|---------------|----------------|---------------|------------|
| ϕA | B | ϕC | D | E | F | |
| 12.0 ± 0.3 | 20.0 ± 0.4 | 6.0 ± 0.2 | 3.0 ± 0.2 | 14.0 ± 0.3 | 3.0 ± 0.2 | 5.58 |

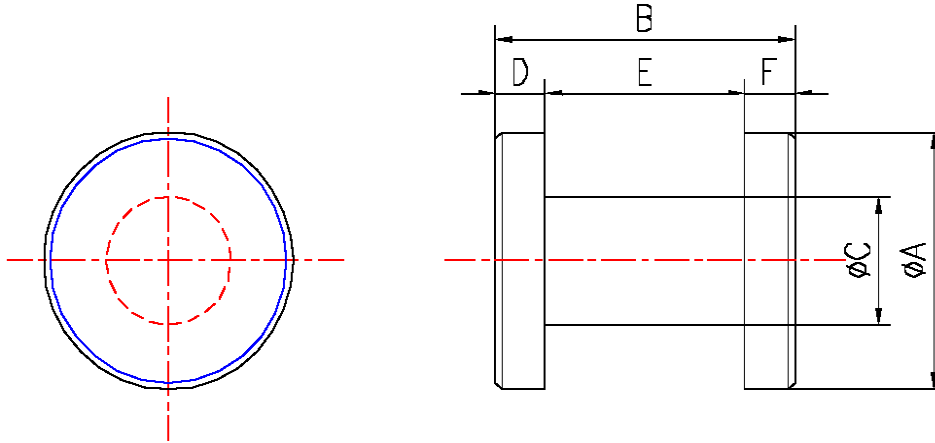
Characteristic

| Grade | $L (\mu H)$ | $L_{5.0A} (\mu H)$ |
|-------|---------------|--|
| | | $f=100kHz$ $U=1.0V$ $N=20T_s, \Phi 0.5 \text{ mm}$ |
| DN35H | $21 \pm 20\%$ | $\geq 90\% \times L_{0A}$ |
| | | |
| | | |



I cores

I12X7X15



CORE SETS

CORE DIMENSIONS (mm)

| Dimensions (mm) | | | | | | Weight (g) |
|--------------------|----------------|---------------|---------------|----------------|---------------|------------|
| ϕA | B | ϕC | D | E | F | |
| $12.0^{+0}_{-0.4}$ | 15.0 ± 0.3 | 7.0 ± 0.2 | 2.5 ± 0.2 | 10.0 ± 0.2 | 2.5 ± 0.2 | 4.94 |

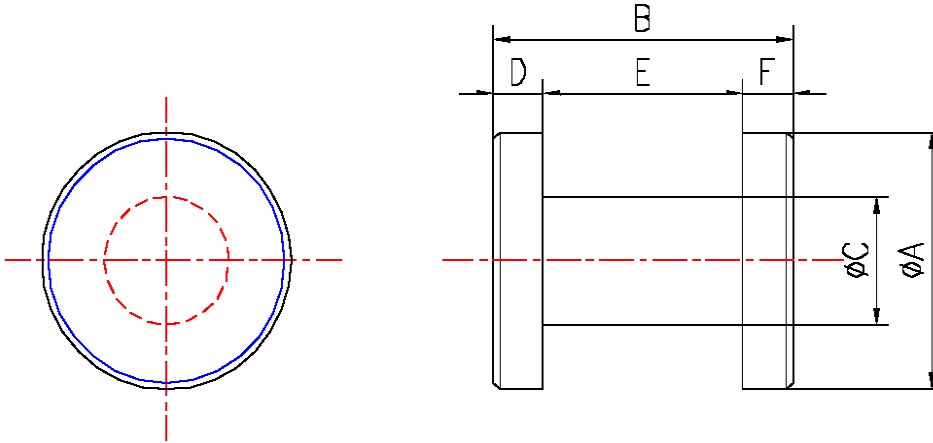
Characteristic

| Grade | $L (\mu H)$ | $L_{4.0A} (\mu H)$ |
|-------|-----------------|---|
| | | $f=100kHz$ $U=1.0V$ $N=20Ts, \phi 0.5 mm$ |
| DN65H | $20.3 \pm 20\%$ | $\geq 90\% \times L_{0A}$ |
| | | |
| | | |
| | | |



I cores

I13X5X15



CORE SETS

CORE DIMENSIONS (mm)

| Dimensions (mm) | | | | | | Weight (g) |
|-----------------|----------------|----------------|---------------|---------------|---------------|------------|
| ϕA | B | ϕC | D | E | F | |
| 13.0 ± 0.2 | 15.0 ± 0.3 | 5.0 ± 0.15 | 3.0 ± 0.2 | 9.0 ± 0.2 | 3.0 ± 0.2 | 5.06 |

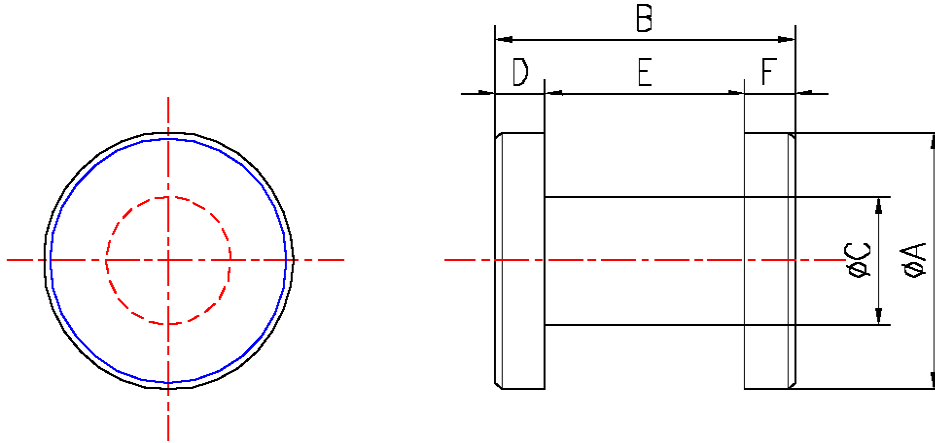
Characteristic

| Grade | $L (\mu H)$ | $L_{4.0A} (\mu H)$ |
|-------|---------------|---|
| | | $f=100kHz$ $U=1.0V$ $N=20Ts, \Phi 0.5 mm$ |
| DMR40 | $25 \pm 20\%$ | $\geq 90\% \times L_{0A}$ |
| | | |
| | | |
| | | |



I cores

I13X6.4X13



CORE SETS

CORE DIMENSIONS (mm)

| Dimensions (mm) | | | | | | Weight (g) |
|-----------------|----------------|----------------|---------------|---------------|---------------|------------|
| ϕA | B | ϕC | D | E | F | |
| 13.0 ± 0.2 | 13.0 ± 0.3 | 6.4 ± 0.15 | 3.0 ± 0.2 | 7.0 ± 0.2 | 3.0 ± 0.2 | 5.31 |

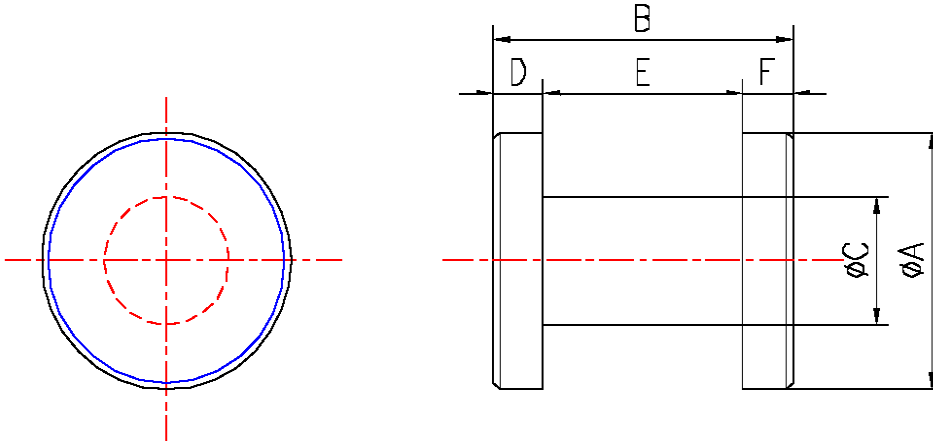
Characteristic

| Grade | $L (\mu H)$ | $L_{5.0A} (\mu H)$ |
|-------|---------------|--|
| | | $f=100kHz$ $U=1.0V$ $N=20T_s, \Phi 0.5 \text{ mm}$ |
| DMR40 | $26 \pm 20\%$ | $\geq 90\% \times L_{0A}$ |
| | | |
| | | |
| | | |



I cores

I14X4.5X15



CORE SETS

CORE DIMENSIONS (mm)

| Dimensions (mm) | | | | | | Weight (g) |
|----------------------|----------------------|----------------------|---------------|----------------|---------------|------------|
| ϕA | B | ϕC | D | E | F | |
| $14.0^{+0.1}_{-0.3}$ | $15.0^{+0.3}_{-0.2}$ | $4.5^{+0.1}_{-0.15}$ | 2.5 ± 0.2 | 10.0 ± 0.3 | 2.5 ± 0.2 | 4.83 |

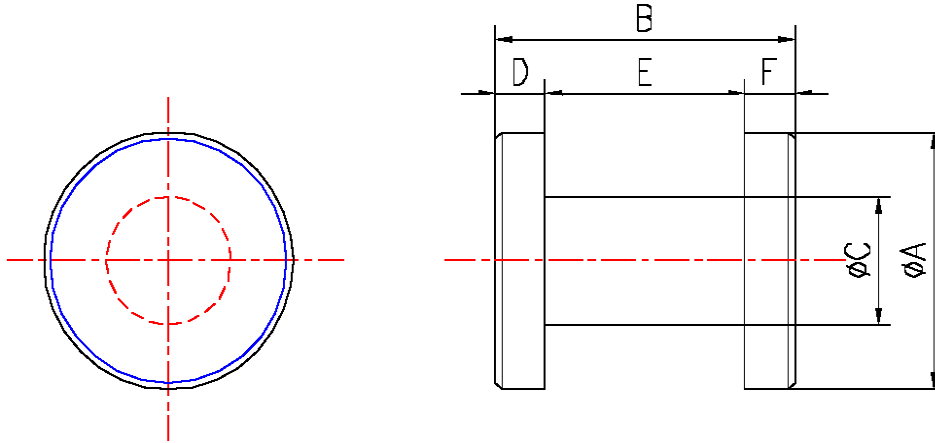
Characteristic

| Grade | $L (\mu H)$ | $L_{5.0A} (\mu H)$ |
|-------|---------------|---|
| | | $f=100kHz$ $U=1.0V$ $N=20Ts, \Phi 0.5 mm$ |
| DN35H | $21 \pm 20\%$ | $\geq 90\% \times L_{0A}$ |
| | | |
| | | |
| | | |



I cores

I14X7.65X9.5



CORE SETS

CORE DIMENSIONS (mm)

| Dimensions (mm) | | | | | | Weight (g) |
|--------------------|---------------|--------------------|---------------|----------------|---------------|------------|
| ϕA | B | ϕC | D | E | F | |
| $14.0^{+0}_{-0.3}$ | 9.5 ± 0.3 | $7.65^{+0.3}_{-0}$ | 2.0 ± 0.2 | 5.5 ± 0.25 | 2.0 ± 0.2 | 4.51 |

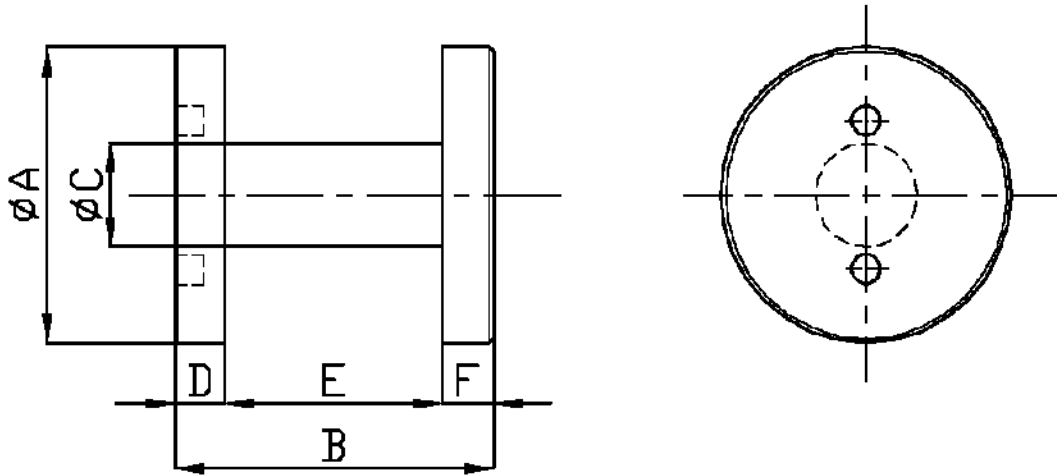
Characteristic

| Grade | $L (\mu H)$ | $L_{4.0A} (\mu H)$ |
|-------|---------------|---|
| | | $f=100kHz$ $U=1.0V$ $N=20Ts, \Phi 0.5 \text{ mm}$ |
| DN65H | $31 \pm 20\%$ | $\geq 90\% \times L_{0A}$ |
| | | |
| | | |
| | | |



I cores

I14X7X16



CORE SETS

CORE DIMENSIONS (mm)

| Dimensions (mm) | | | | | | Weight (g) |
|-----------------|----------------|----------------|---------------|----------------|---------------|------------|
| ϕA | B | ϕC | D | E | F | |
| 14.0 ± 0.2 | 16.0 ± 0.3 | 7.0 ± 0.15 | 2.5 ± 0.2 | 11.0 ± 0.3 | 2.5 ± 0.2 | 6.2 |

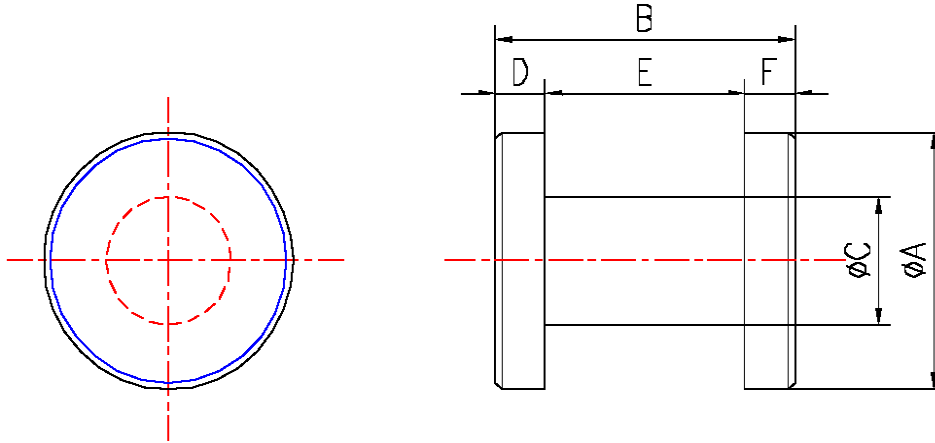
Characteristic

| Grade | $L (\mu H)$ | $L_{5.0A} (\mu H)$ |
|-------|-----------------|---|
| | | $f=100kHz$ $U=1.0V$ $N=20Ts, \Phi 0.5 mm$ |
| DN35H | $22.5 \pm 20\%$ | $\geq 90\% \times L_{0A}$ |
| | | |
| | | |
| | | |



I cores

I14X8X20



CORE SETS

CORE DIMENSIONS (mm)

| Dimensions (mm) | | | | | | Weight (g) |
|-----------------|----------------|---------------|---------------|----------------|---------------|------------|
| ϕA | B | ϕC | D | E | F | |
| 14.0 ± 0.3 | 20.0 ± 0.4 | 8.0 ± 0.2 | 4.0 ± 0.2 | 12.0 ± 0.3 | 4.0 ± 0.2 | 9.54 |

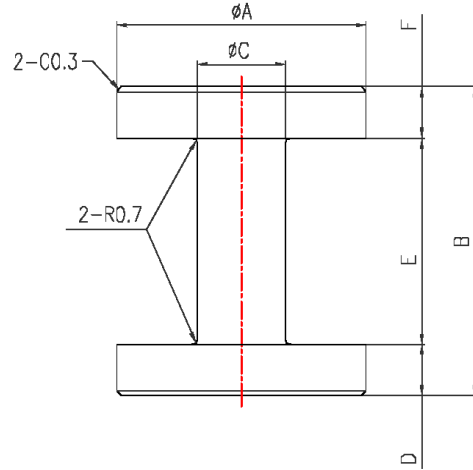
Characteristic

| Grade | $L (\mu H)$ | $L_{7.0A} (\mu H)$ |
|-------|---------------|--|
| | | $f=100kHz$ $U=1.0V$ $N=20T_s, \Phi 0.8 \text{ mm}$ |
| DN35H | $26 \pm 20\%$ | $\geq 90\% \times L_{0A}$ |
| | | |
| | | |
| | | |



I cores

I15X5.6X18



CORE SETS

CORE DIMENSIONS (mm)

| Dimensions (mm) | | | | | | Weight (g) |
|-----------------|----------------|---------------|---------------|----------------|---------------|------------|
| ϕA | B | ϕC | D | E | F | |
| 15.0 ± 0.2 | 18.0 ± 0.2 | 5.6 ± 0.1 | 3.0 ± 0.2 | 12.0 ± 0.2 | 3.0 ± 0.2 | 7.05 |

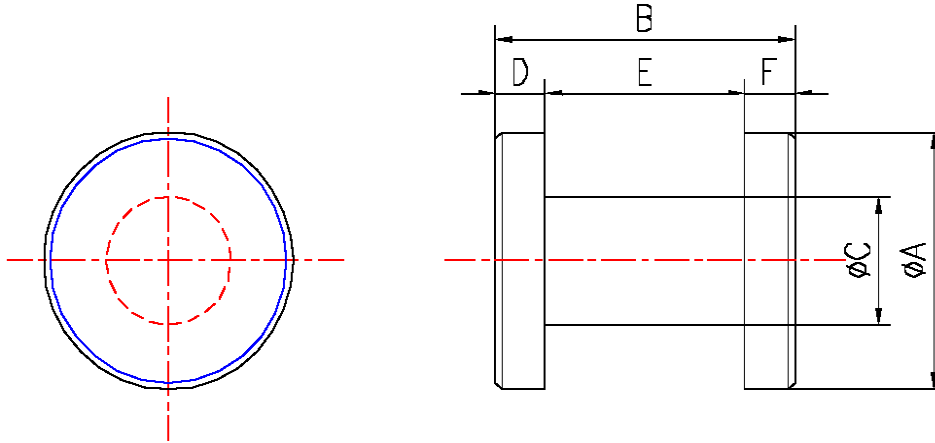
Characteristic

| Grade | $L (\mu H)$ | $L_{4.0A} (\mu H)$ |
|-------|---------------|--|
| | | $f=100kHz$ $U=1.0V$ $N=20Ts, \Phi 0.35 \text{ mm}$ |
| DN35H | $26 \pm 20\%$ | $\geq 90\% \times L_{0A}$ |
| | | |
| | | |
| | | |



I cores

I15X4.8X13



CORE SETS

CORE DIMENSIONS (mm)

| Dimensions (mm) | | | | | | Weight (g) |
|-----------------|----------------|---------------|---------------|---------------|---------------|------------|
| ϕA | B | ϕC | D | E | F | |
| 15.0 ± 0.15 | 13.0 ± 0.3 | 4.8 ± 0.1 | 2.2 ± 0.2 | 8.6 ± 0.2 | 2.2 ± 0.2 | 4.85 |

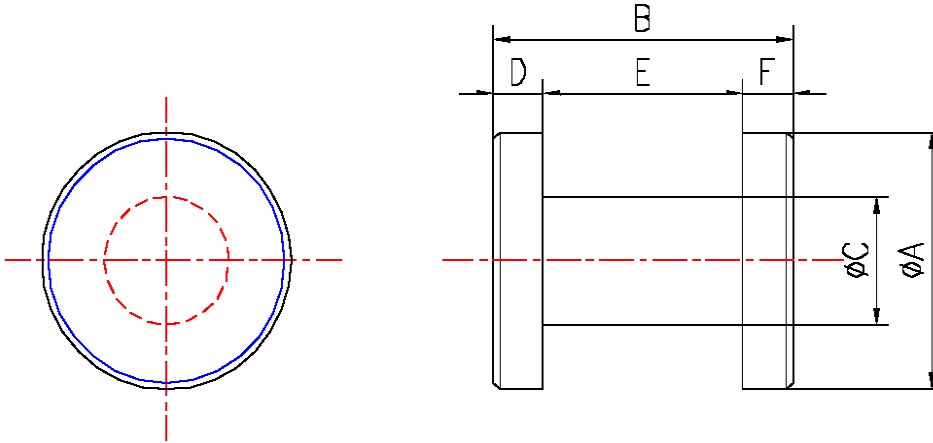
Characteristic

| Grade | $L (\mu H)$ | $L_{5.0A} (\mu H)$ |
|-------|-----------------|--|
| | | $f=100kHz$ $U=1.0V$ $N=20T_s, \Phi 0.5 \text{ mm}$ |
| DN35H | $26.5 \pm 20\%$ | $\geq 90\% \times L_{0A}$ |
| | | |
| | | |
| | | |



I cores

I15X5X15



CORE SETS

CORE DIMENSIONS (mm)

| Dimensions (mm) | | | | | | Weight (g) |
|-----------------|----------------|----------------|---------------|----------------|---------------|------------|
| ϕA | B | ϕC | D | E | F | |
| 15.0 ± 0.2 | 15.0 ± 0.3 | 5.0 ± 0.15 | 2.5 ± 0.2 | 10.0 ± 0.2 | 2.5 ± 0.2 | 5.61 |

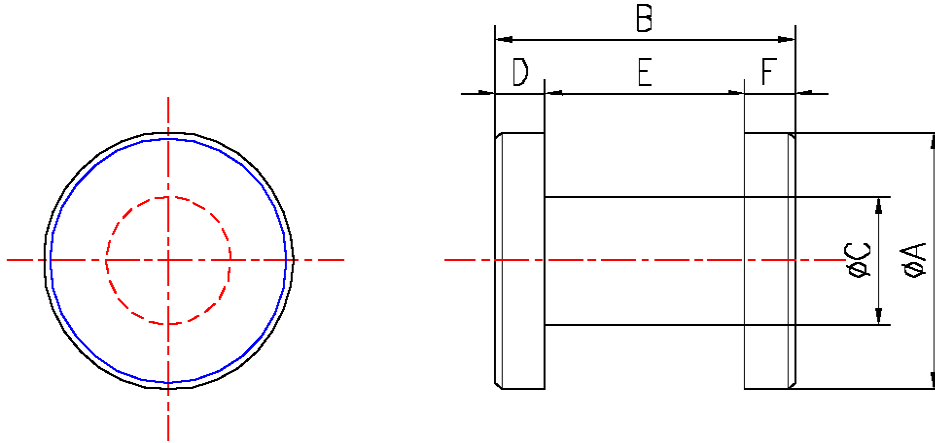
Characteristic

| Grade | $L (\mu H)$ | $L_{5.0A} (\mu H)$ |
|-------|---------------|---|
| | | $f=100kHz$ $U=1.0V$ $N=20Ts, \Phi 0.5 \text{ mm}$ |
| DN35H | $24 \pm 20\%$ | $\geq 90\% \times L_{0A}$ |
| | | |
| | | |
| | | |



I cores

I15X7.5X18



CORE SETS

CORE DIMENSIONS (mm)

| Dimensions (mm) | | | | | | Weight (g) |
|----------------------|----------------|----------------------|---------------|----------------|---------------|------------|
| ϕA | B | ϕC | D | E | F | |
| $15.0^{+0.3}_{-0.2}$ | 18.0 ± 0.3 | $7.5^{+0.15}_{-0.1}$ | 3.0 ± 0.2 | 12.0 ± 0.3 | 3.0 ± 0.2 | 8.27 |

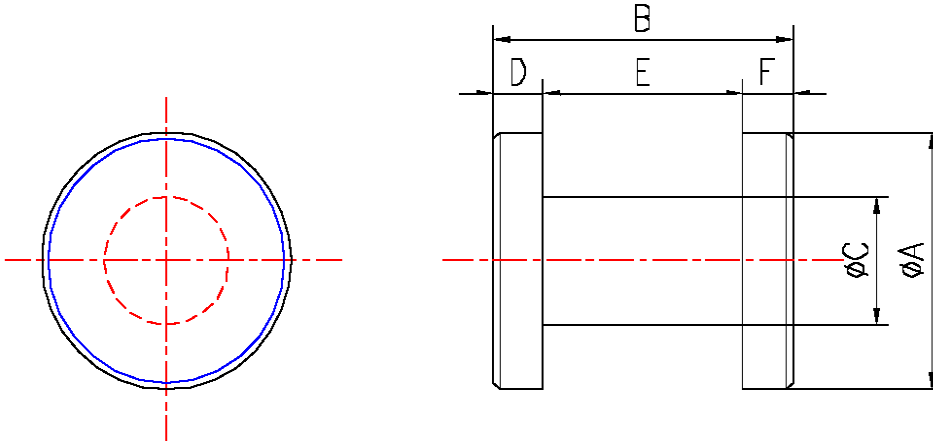
Characteristic

| Grade | $L (\mu H)$ | $L_{7.0A} (\mu H)$ |
|-------|-----------------|---|
| | | $f=100kHz$ $U=1.0V$ $N=20T_s, \phi 0.35 \text{ mm}$ |
| DN35H | $23.5 \pm 20\%$ | $\geq 90\% \times L_{0A}$ |
| | | |
| | | |
| | | |



I cores

I15X7X15



CORE SETS

CORE DIMENSIONS (mm)

| Dimensions (mm) | | | | | | Weight (g) |
|-----------------|----------------|---------------|----------------|---------------|----------------|------------|
| ϕA | B | ϕC | D | E | F | |
| 15.0 ± 0.2 | 15.0 ± 0.2 | 7.0 ± 0.1 | 3.0 ± 0.15 | 9.0 ± 0.2 | 3.0 ± 0.15 | 7.31 |

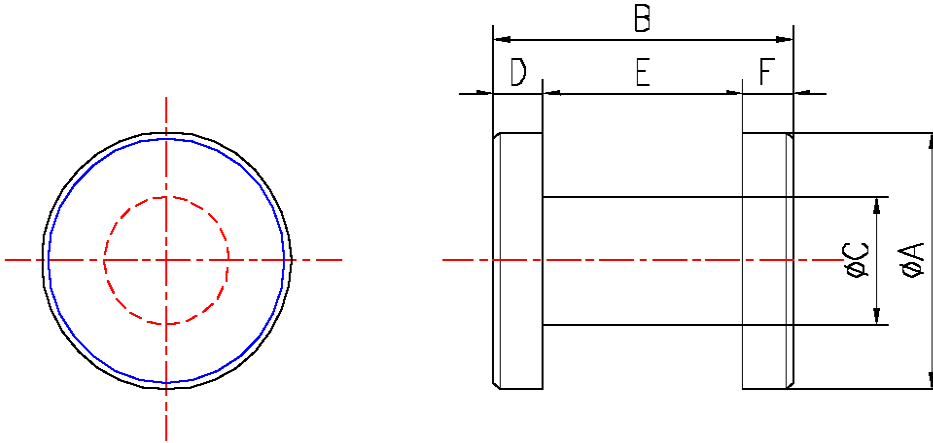
Characteristic

| Grade | $L (\mu H)$ | $L_{7.0A} (\mu H)$ |
|-------|---------------|--|
| | | $f=100kHz$ $U=1.0V$ $N=20T_s, \Phi 0.8 \text{ mm}$ |
| DN35H | $28 \pm 20\%$ | $\geq 90\% \times L_{0A}$ |
| | | |
| | | |
| | | |



I cores

I15X7X18



CORE SETS

CORE DIMENSIONS (mm)

| Dimensions (mm) | | | | | | Weight (g) |
|-----------------|----------------|----------------|---------------|----------------|---------------|------------|
| ϕA | B | ϕC | D | E | F | |
| 15.0 ± 0.2 | 18.0 ± 0.4 | 7.0 ± 0.15 | 3.0 ± 0.2 | 12.0 ± 0.2 | 3.0 ± 0.2 | 7.91 |

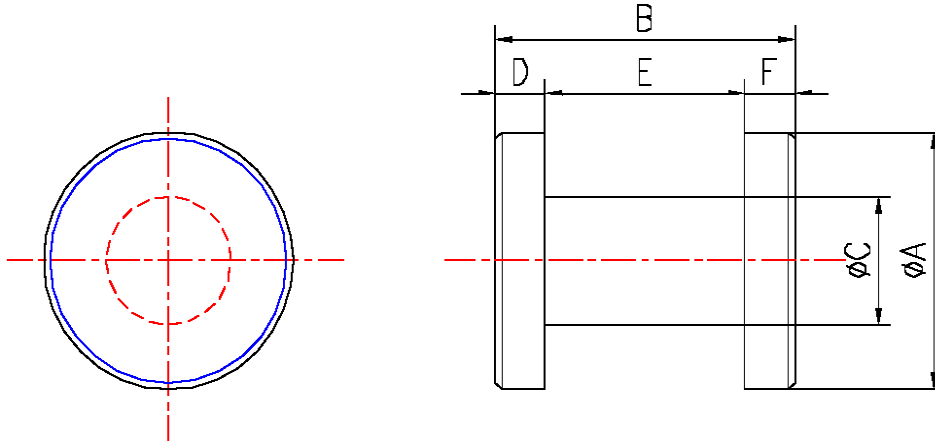
Characteristic

| Grade | $L (\mu H)$ | $L_{6.0A} (\mu H)$ |
|-------|---------------|---|
| | | $f=100kHz$ $U=1.0V$ $N=20Ts, \Phi 0.5 mm$ |
| DN35H | $23 \pm 20\%$ | $\geq 90\% \times L_{0A}$ |
| | | |
| | | |
| | | |



I cores

I15X8.4X23



CORE SETS

CORE DIMENSIONS (mm)

| Dimensions (mm) | | | | | | Weight (g) |
|--------------------|----------------|---------------|----------------|-----------------|----------------|------------|
| ϕA | B | ϕC | D | E | F | |
| $15.0^{+0}_{-0.5}$ | 23.0 ± 0.4 | 8.4 ± 0.2 | 2.5 ± 0.25 | 18.0 ± 0.25 | 2.5 ± 0.25 | 9.78 |

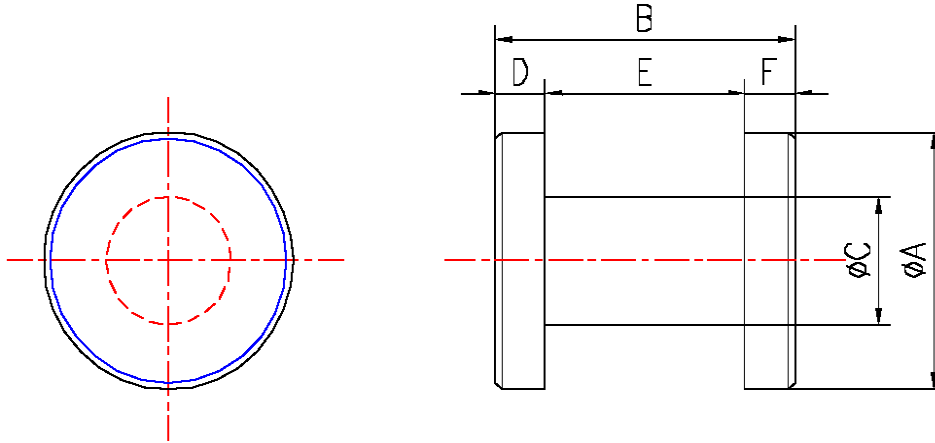
Characteristic

| Grade | $L (\mu H)$ | $L_{7.0A} (\mu H)$ |
|-------|-----------------|---|
| | | $f=100kHz$ $U=1.0V$ $N=20Ts, \phi 0.8 mm$ |
| DN35H | $24.5 \pm 20\%$ | $\geq 90\% \times L_{0A}$ |
| | | |
| | | |
| | | |



I cores

I15X8.5X25



CORE SETS

CORE DIMENSIONS (mm)

| Dimensions (mm) | | | | | | Weight (g) |
|-----------------|----------------|---------------|---------------|----------------|---------------|------------|
| ϕA | B | ϕC | D | E | F | |
| 15.0 ± 0.3 | 25.0 ± 0.3 | 8.5 ± 0.2 | 3.5 ± 0.2 | 18.0 ± 0.3 | 3.5 ± 0.2 | 11.74 |

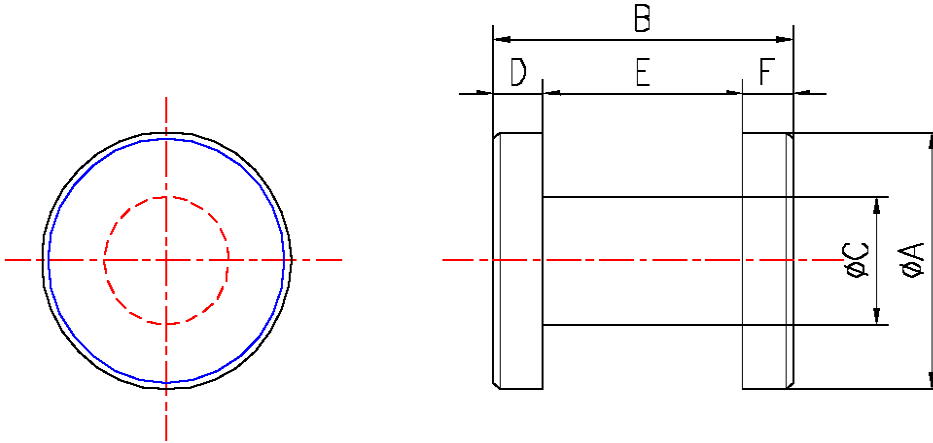
Characteristic

| Grade | $L (\mu H)$ | $L_{7.0A} (\mu H)$ |
|-------|-----------------|--|
| | | $f=100kHz$ $U=1.0V$ $N=20T_s, \phi 0.8 \text{ mm}$ |
| DN35H | $27.5 \pm 20\%$ | $\geq 90\% \times L_{0A}$ |
| | | |
| | | |
| | | |



I cores

I15X9.8X18



CORE SETS

CORE DIMENSIONS (mm)

| Dimensions (mm) | | | | | | Weight (g) |
|-----------------|----------------|----------------|---------------|-----------------|---------------|------------|
| ϕA | B | ϕC | D | E | F | |
| 15.0 ± 0.2 | 18.0 ± 0.3 | 9.8 ± 0.25 | 2.0 ± 0.2 | 14.0 ± 0.25 | 2.0 ± 0.2 | 9.16 |

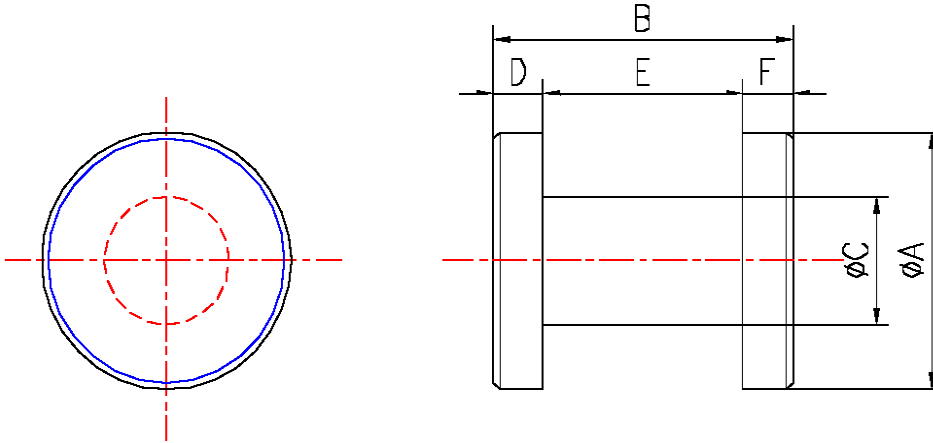
Characteristic

| Grade | $L (\mu H)$ | $L_{7.0A} (\mu H)$ |
|-------|---------------|--|
| | | $f=100kHz$ $U=1.0V$ $N=20T_s, \phi 0.8 mm$ |
| DN35H | $25 \pm 20\%$ | $\geq 90\% \times L_{0A}$ |
| | | |
| | | |
| | | |



I cores

I16X10X18



CORE SETS

CORE DIMENSIONS (mm)

| Dimensions (mm) | | | | | | Weight (g) |
|-----------------|----------------|----------------|---------------|----------------|---------------|------------|
| ϕA | B | ϕC | D | E | F | |
| 16.0 ± 0.2 | 18.0 ± 0.3 | 10.0 ± 0.2 | 2.5 ± 0.2 | 13.0 ± 0.2 | 2.5 ± 0.2 | 10.53 |

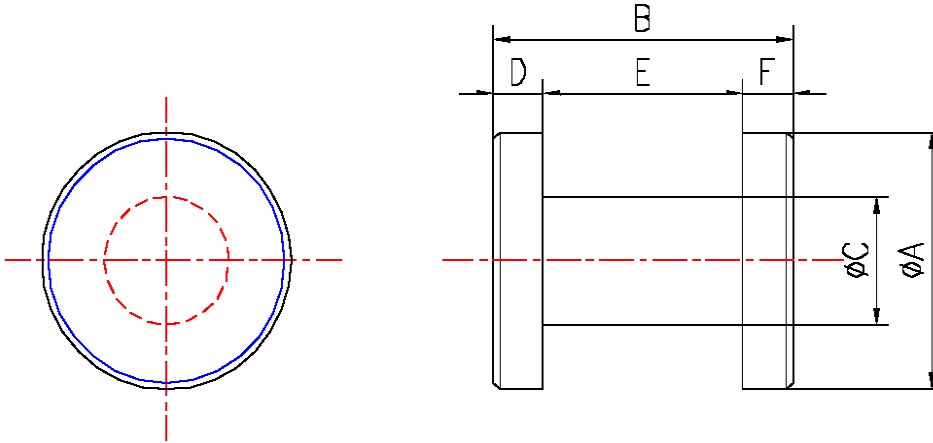
Characteristic

| Grade | $L (\mu H)$ | $L_{8.0A} (\mu H)$ |
|-------|-----------------|--|
| | | $f=100kHz$ $U=1.0V$ $N=20T_s, \phi 0.8 \text{ mm}$ |
| DN65H | $23.5 \pm 20\%$ | $\geq 90\% \times L_{0A}$ |
| | | |
| | | |
| | | |



I cores

I17. 78X8. 13X8. 13



CORE SETS

CORE DIMENSIONS (mm)

| Dimensions (mm) | | | | | | Weight (g) |
|-----------------|----------|----------|----------|----------|----------|------------|
| phi A | B | phi C | D | E | F | |
| 17.78±0.4 | 8.13±0.2 | 8.13±0.2 | 1.65±0.1 | 4.83±0.2 | 1.65±0.1 | 5.56 |

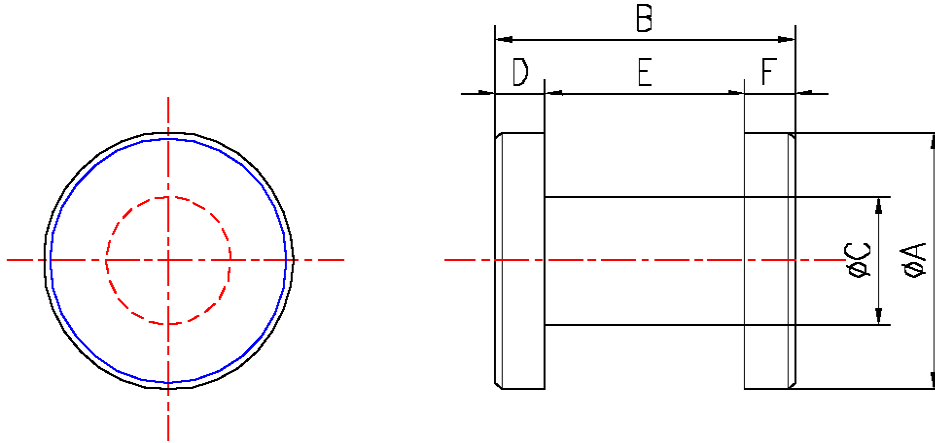
Characteristic

| Grade | L (μH) | L _{7.0A} (μH) |
|-------|---------------------------------------|------------------------|
| | f=100kHz U=1.0V N=20Ts, Φ0.8 mm | |
| DMR40 | 34.5±20% | ≥90% X L _{0A} |
| | | |
| | | |
| | | |



I cores

I20X8.5X20



CORE SETS

CORE DIMENSIONS (mm)

| Dimensions (mm) | | | | | | Weight (g) |
|----------------------|----------------|---------------|---------------|----------------|---------------|------------|
| ϕA | B | ϕC | D | E | F | |
| $20.0^{+0.1}_{-0.3}$ | 20.0 ± 0.4 | 8.5 ± 0.2 | 3.2 ± 0.3 | 13.6 ± 0.3 | 3.2 ± 0.3 | 14.46 |

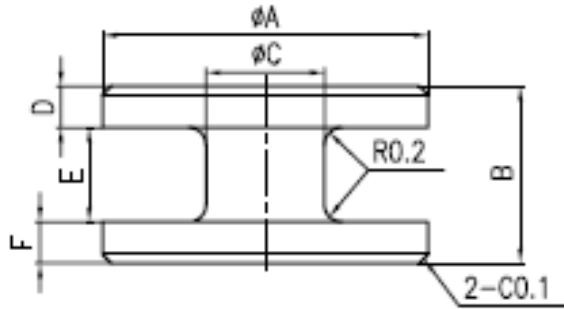
Characteristic

| Grade | $L (\mu H)$ | $L_{8.0A} (\mu H)$ |
|-------|-----------------|---|
| | | $f=100kHz$ $U=1.0V$ $N=20Ts, \phi 0.8 mm$ |
| DN35H | $34.5 \pm 20\%$ | $\geq 90\% \times L_{0A}$ |
| | | |
| | | |
| | | |



I cores

I3. 85X1. 4X2. 05



CORE SETS

CORE DIMENSIONS (mm)

| Dimensions (mm) | | | | | | Weight (g) |
|-----------------|----------------|----------------|----------------|---------------|----------------|------------|
| ϕA | B | ϕC | D | E | F | |
| 3.85 ± 0.1 | 2.05 ± 0.1 | 1.4 ± 0.07 | 0.48 ± 0.1 | 1.1 ± 0.1 | 0.48 ± 0.1 | 0.08 |

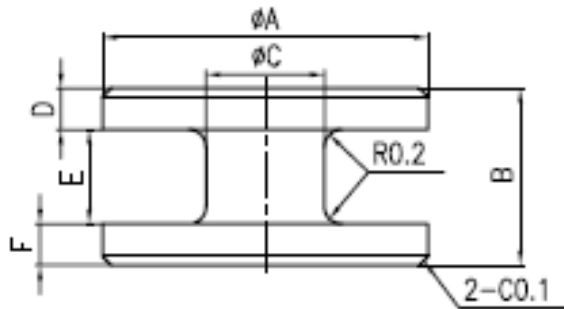
Characteristic

| Grade | $L (\mu H)$ | $L_{0.5A} (\mu H)$ |
|-------|----------------|---|
| | | $f=100kHz$ $U=0.1V$ $N=20Ts, \Phi 0.2 \text{ mm}$ |
| DMR44 | $9.5 \pm 20\%$ | $\geq 90\% \times L_{0A}$ |
| DMR40 | $9.5 \pm 20\%$ | $\geq 90\% \times L_{0A}$ |
| | | |
| | | |



I cores

I4. 2X1. 65X2. 26



CORE SETS

CORE DIMENSIONS (mm)

| Dimensions (mm) | | | | | | Weight (g) |
|-----------------|-----------------|-----------------|---------------|-----------------|---------------|------------|
| ϕA | B | ϕC | D | E | F | |
| 4.2 ± 0.15 | 2.26 ± 0.15 | 1.65 ± 0.15 | 0.5 ± 0.1 | 1.26 ± 0.15 | 0.5 ± 0.1 | 0.09 |

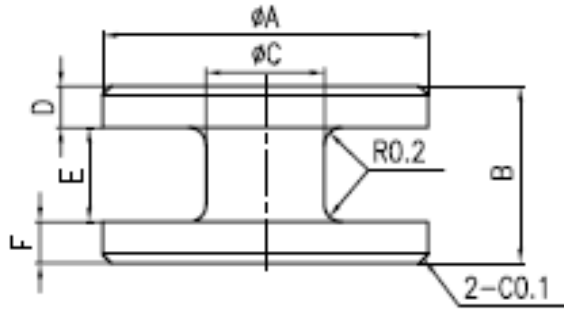
Characteristic

| Grade | $L (\mu H)$ | $L_{0.5A} (\mu H)$ |
|-------|----------------|---|
| | | $f=100kHz$ $U=1.0V$ $N=20Ts, \Phi 0.2 \text{ mm}$ |
| DN50B | $6.8 \pm 20\%$ | $\geq 90\% \times L_{0A}$ |
| DN35H | $6.0 \pm 20\%$ | $\geq 90\% \times L_{0A}$ |
| | | |
| | | |



I cores

I4. 5X2X6. 6



CORE SETS

CORE DIMENSIONS (mm)

| Dimensions (mm) | | | | | | Weight (g) |
|-----------------|---------------|----------------|----------------|----------------|----------------|------------|
| ϕA | B | ϕC | D | E | F | |
| 4.5 ± 0.05 | 6.6 ± 0.1 | 2.0 ± 0.08 | 1.3 ± 0.08 | 4.0 ± 0.08 | 1.3 ± 0.08 | 0.28 |

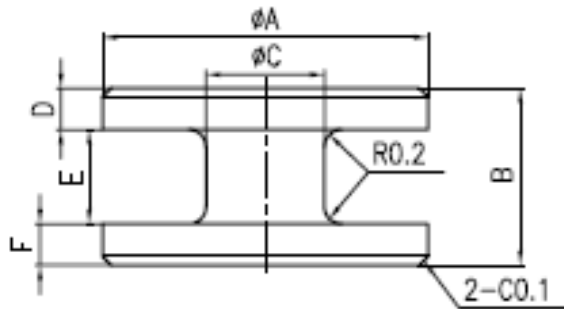
Characteristic

| Grade | $L (\mu H)$ | $L_{1.0A} (\mu H)$ |
|-------|----------------|---|
| | | $f=100kHz$ $U=1.0V$ $N=20Ts, \phi 0.2 \text{ mm}$ |
| DN40L | $7.5 \pm 20\%$ | $\geq 90\% \times L_{0A}$ |
| | | |
| | | |
| | | |



I cores

I4X1.6X2



CORE SETS

CORE DIMENSIONS (mm)

| Dimensions (mm) | | | | | | Weight (g) |
|-----------------|---------------|---------------|---------------|---------------|---------------|------------|
| ϕA | B | ϕC | D | E | F | |
| 4.0 ± 0.1 | 2.0 ± 0.1 | 1.6 ± 0.1 | 0.4 ± 0.1 | 1.2 ± 0.1 | 0.4 ± 0.1 | 0.08 |

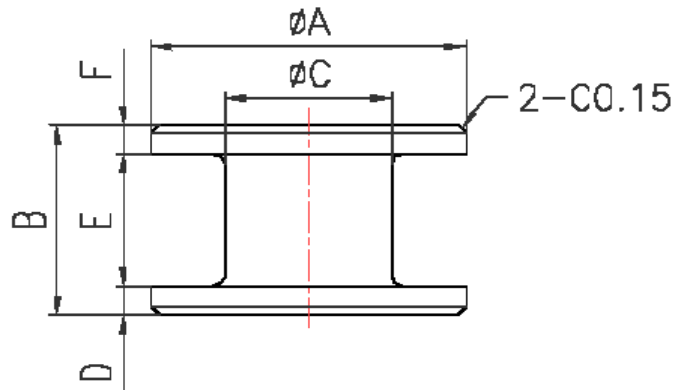
Characteristic

| Grade | $L (\mu H)$ | $L_{1.0A} (\mu H)$ |
|-------|-----------------|--|
| | | $f=100kHz$ $U=0.25V$ $N=20Ts, \Phi 0.2 \text{ mm}$ |
| DMR40 | $7.25 \pm 20\%$ | $\geq 90\% \times L_{0A}$ |
| | | |
| | | |
| | | |



I cores

I5. 3X2. 1X2



CORE SETS

CORE DIMENSIONS (mm)

| Dimensions (mm) | | | | | | Weight (g) |
|-----------------|----------------|---------------|-----------------|----------------|-----------------|------------|
| ϕA | B | ϕC | D | E | F | |
| 5.3 ± 0.1 | 2.0 ± 0.07 | 2.1 ± 0.1 | 0.58 ± 0.07 | 0.84 ± 0.1 | 0.58 ± 0.07 | 0.15 |

Characteristic

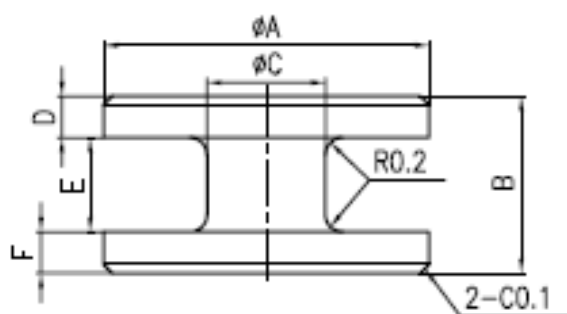
| Grade | $L (\mu H)$ | $L_{0.5A} (\mu H)$ |
|-------|---------------|---|
| | | $f=100kHz$ $U=1.0V$ $N=20Ts, \phi 0.2 \text{ mm}$ |
| DN40B | $17 \pm 20\%$ | $\geq 90\% \times L_{0A}$ |
| | | |
| | | |
| | | |



I cores

I5. 6X2. 4X2. 6

ORDERING CODE SYSTEM



CORE SETS

CORE DIMENSIONS (mm)

| Dimensions (mm) | | | | | | Weight (g) |
|-----------------|---------|----------|----------|----------|----------|------------|
| ϕA | B | ϕC | D | E | F | |
| 5.6±0.1 | 2.6±0.1 | 2.4±0.1 | 0.65±0.1 | 1.05±0.1 | 0.65±0.1 | 0.2 |

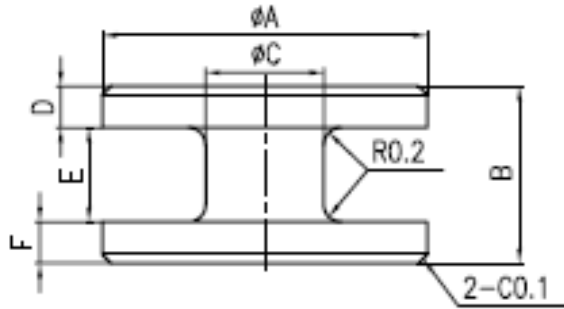
Characteristic

| Grade | $L (\mu H)$ | $L_{1.0A} (\mu H)$ |
|-------|-----------------|---|
| | | $f=100kHz$ $U=1.0V$ $N=20Ts, \phi 0.2 \text{ mm}$ |
| DN50B | $14.5 \pm 20\%$ | $\geq 90\% \times L_{0A}$ |
| | | |
| | | |
| | | |



I cores

I5X1.9X2.2



CORE SETS

CORE DIMENSIONS (mm)

| Dimensions (mm) | | | | | | Weight (g) |
|-----------------|----------------|---------------|-----------------|-----------------|-----------------|------------|
| ϕA | B | ϕC | D | E | F | |
| 5.0 ± 0.1 | 2.2 ± 0.05 | 1.9 ± 0.1 | 0.54 ± 0.07 | 1.12 ± 0.07 | 0.54 ± 0.07 | 0.13 |

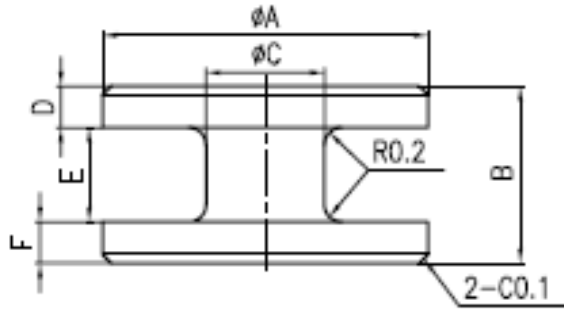
Characteristic

| Grade | $L (\mu H)$ | $L_{0.5A} (\mu H)$ |
|-------|-----------------|---|
| | | $f=100kHz$ $U=1.0V$ $N=20Ts, \Phi 0.2 \text{ mm}$ |
| DN50B | $14.5 \pm 20\%$ | $\geq 90\% \times L_{0A}$ |
| | | |
| | | |
| | | |



I cores

I5X2.7X13



CORE SETS

CORE DIMENSIONS (mm)

| Dimensions (mm) | | | | | | Weight (g) |
|-----------------|-----------------|----------------|---------------|---------------|---------------|------------|
| ϕA | B | ϕC | D | E | F | |
| 5.0 ± 0.2 | 13.0 ± 0.25 | 2.7 ± 0.15 | 2.0 ± 0.2 | 9.0 ± 0.2 | 2.0 ± 0.2 | 0.68 |

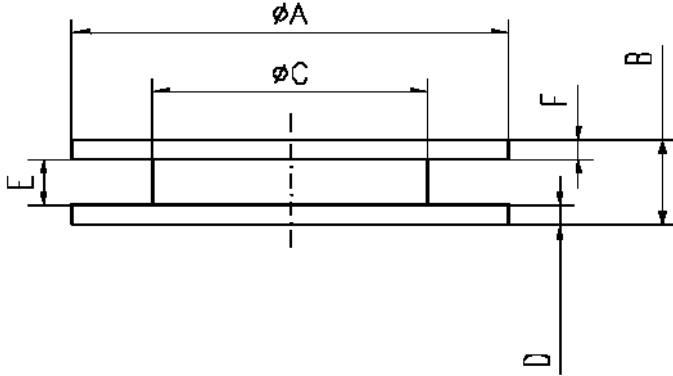
Characteristic

| Grade | $L (\mu H)$ | $L_{1.0A} (\mu H)$ |
|-------|----------------|---|
| | | $f=100kHz$ $U=1.0V$ $N=20Ts, \phi 0.2 \text{ mm}$ |
| DN35H | $8.0 \pm 20\%$ | $\geq 90\% \times L_{0A}$ |
| | | |
| | | |
| | | |



I cores

I6. 5X3. 4X1. 55



CORE SETS

CORE DIMENSIONS (mm)

| Dimensions (mm) | | | | | | Weight (g) |
|-----------------|-----------------|---------------|---------------|----------------|---------------|------------|
| ϕA | B | ϕC | D | E | F | |
| 6.5 ± 0.07 | 1.55 ± 0.07 | 3.4 ± 0.1 | 0.3 ± 0.1 | 0.95 ± 0.1 | 0.3 ± 0.1 | 0.15 |

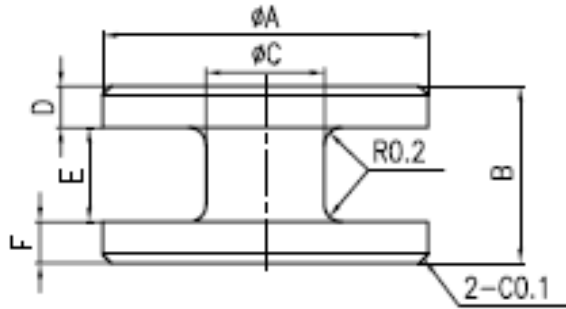
Characteristic

| Grade | $L (\mu H)$ | $L_{0.5A} (\mu H)$ |
|-------|---------------|---|
| | | $f=100kHz$ $U=1.0V$ $N=20Ts, \Phi 0.2 \text{ mm}$ |
| DN65H | $15 \pm 20\%$ | $\geq 90\% \times L_{0A}$ |
| | | |
| | | |
| | | |



I cores

I6X2.8X8



CORE SETS

CORE DIMENSIONS (mm)

| Dimensions (mm) | | | | | | Weight (g) |
|-----------------|---------------|---------------|---------------|---------------|---------------|------------|
| ϕA | B | ϕC | D | E | F | |
| 6.0 ± 0.15 | 8.0 ± 0.3 | 2.8 ± 0.2 | 2.0 ± 0.1 | 4.0 ± 0.1 | 2.0 ± 0.1 | 0.72 |

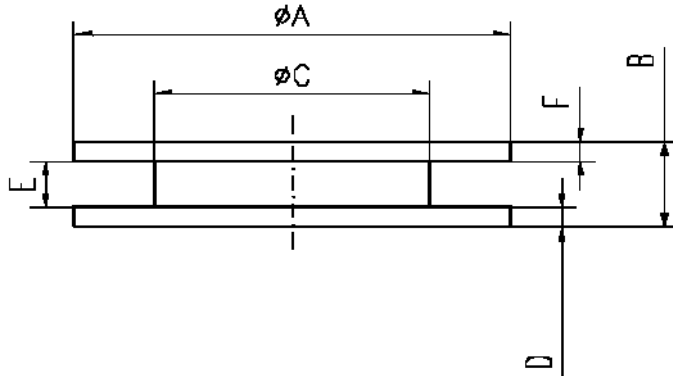
Characteristic

| Grade | $L (\mu H)$ | $L_{0.5A} (\mu H)$ |
|-------|-----------------|---|
| | | $f=100kHz$ $U=1.0V$ $N=20Ts, \phi 0.2 \text{ mm}$ |
| DN65H | $11.5 \pm 20\%$ | $\geq 90\% \times L_{0A}$ |
| | | |
| | | |
| | | |



I cores

I6X3.4X2.75



CORE SETS

CORE DIMENSIONS (mm)

| Dimensions (mm) | | | | | | Weight (g) |
|-----------------|----------------|---------------|----------------|----------------|----------------|------------|
| ϕA | B | ϕC | D | E | F | |
| 6.0 ± 0.1 | 2.75 ± 0.1 | 3.4 ± 0.1 | 0.45 ± 0.1 | 1.85 ± 0.1 | 0.45 ± 0.1 | 0.22 |

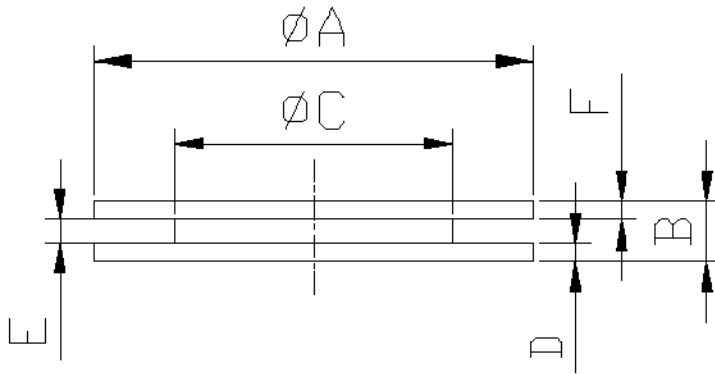
Characteristic

| Grade | $L (\mu H)$ | $L_{1.0A} (\mu H)$ |
|-------|-----------------|---|
| | | $f=100kHz$ $U=1.0V$ $N=20Ts, \Phi 0.2 \text{ mm}$ |
| DN65H | $11.5 \pm 20\%$ | $\geq 90\% \times L_{0A}$ |
| | | |
| | | |
| | | |



I cores

I6X3.6X0.8



CORE SETS

CORE DIMENSIONS (mm)

| Dimensions (mm) | | | | | | Weight (g) |
|-----------------|----------------|----------------|-----------------|-----------------|-----------------|------------|
| ϕA | B | ϕC | D | E | F | |
| 6.0 ± 0.07 | 0.8 ± 0.05 | 3.6 ± 0.05 | 0.24 ± 0.05 | 0.32 ± 0.05 | 0.24 ± 0.05 | 0.09 |

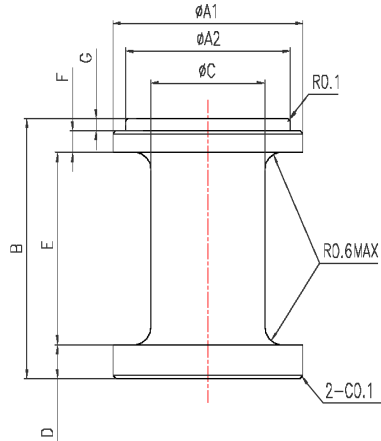
Characteristic

| Grade | $L (\mu H)$ | $L_{0.5A} (\mu H)$ |
|-------|---------------|---|
| | | $f=100kHz$ $U=1.0V$ $N=20Ts, \phi 0.2 \text{ mm}$ |
| DN40L | $25 \pm 20\%$ | $\geq 90\% \times L_{0A}$ |
| | | |
| | | |
| | | |



I cores

I7. 5X3. 4X6. 9



CORE SETS

CORE DIMENSIONS (mm)

| Dimensions (mm) | | | | | | | | Weight (g) |
|-----------------|---------------|---------------|---------------|---------------|---------------|---------------|----------------|------------|
| $\phi A1$ | $\phi A2$ | B | ϕC | D | E | F | G | |
| 7.5 ± 0.1 | 6.5 ± 0.1 | 6.9 ± 0.1 | 3.4 ± 0.1 | 0.9 ± 0.1 | 5.1 ± 0.1 | 0.5 ± 0.1 | 0.4 ± 0.07 | 2.2 |

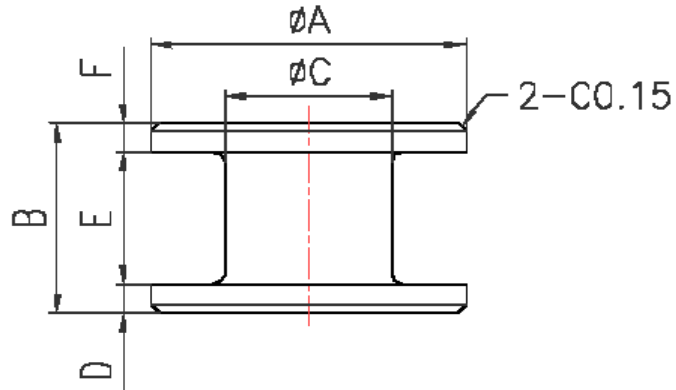
Characteristic

| Grade | $L (\mu H)$ | $L_{1.0A} (\mu H)$ |
|-------|---------------|---|
| | | $f=100kHz$ $U=1.0V$ $N=20Ts, \Phi 0.2 \text{ mm}$ |
| DN50B | $13 \pm 20\%$ | $\geq 90\% \times L_{0A}$ |
| | | |
| | | |
| | | |



I cores

I8. 38X3. 2X4. 2



CORE SETS

CORE DIMENSIONS (mm)

| Dimensions (mm) | | | | | | Weight (g) |
|-----------------|----------------|----------------|----------------|----------------|----------------|------------|
| ϕA | B | ϕC | D | E | F | |
| 8.38 ± 0.15 | 4.2 ± 0.15 | 3.2 ± 0.15 | 0.9 ± 0.15 | 2.4 ± 0.15 | 0.9 ± 0.15 | 0.62 |

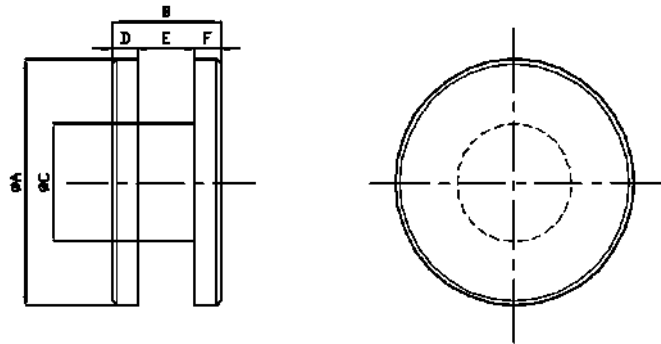
Characteristic

| Grade | $L (\mu H)$ | $L_{1.0A} (\mu H)$ |
|-------|-----------------|---|
| | | $f=100kHz$ $U=1.0V$ $N=20Ts, \Phi 0.2 \text{ mm}$ |
| DMR40 | $14.5 \pm 20\%$ | $\geq 90\% \times L_{0A}$ |
| | | |
| | | |
| | | |



I cores

I8. 5X3X4. 2



CORE SETS

CORE DIMENSIONS (mm)

| Dimensions (mm) | | | | | | Weight (g) |
|-----------------|----------------|----------------|----------------|----------------|----------------|------------|
| ϕA | B | ϕC | D | E | F | |
| 8.5 ± 0.15 | 4.2 ± 0.15 | 3.0 ± 0.15 | 0.9 ± 0.15 | 2.4 ± 0.15 | 0.9 ± 0.15 | 0.62 |

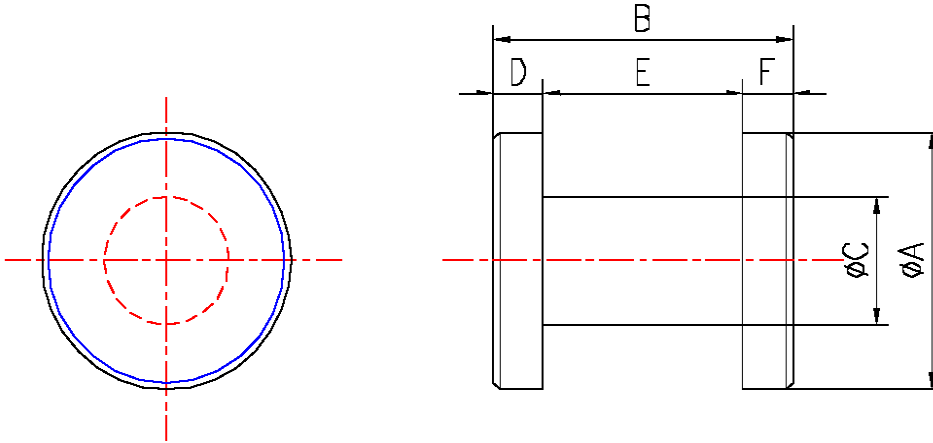
Characteristic

| Grade | $L (\mu H)$ | $L_{1.0A} (\mu H)$ |
|-------|-----------------|---|
| | | $f=100kHz$ $U=1.0V$ $N=20Ts, \Phi 0.2 \text{ mm}$ |
| DN30L | $16.5 \pm 20\%$ | $\geq 90\% \times L_{0A}$ |
| DMR40 | $19.0 \pm 20\%$ | $\geq 90\% \times L_{0A}$ |
| | | |
| | | |



I cores

I8. 7X3. 7X7. 5



CORE SETS

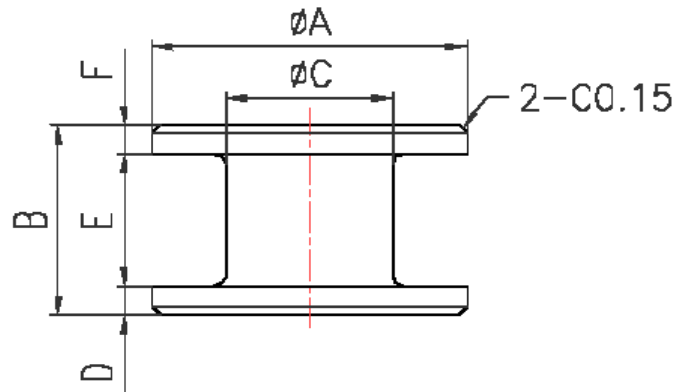
CORE DIMENSIONS (mm)

| Dimensions (mm) | | | | | | Weight (g) |
|-----------------|--|---------------|---------------|--|---------------|------------|
| ϕA | B | ϕC | D | E | F | |
| 8.7 ± 0.1 | 7.5 ± 0.1 | 3.7 ± 0.1 | 1.0 ± 0.1 | 5.5 ± 0.1 | 1.0 ± 0.1 | 0.93 |
| Characteristic | | | | | | |
| Grade | L (μH) | | | L _{3.0A} (μH) | | |
| | f=100kHz U=1.0V N=20Ts, $\Phi 0.35$ mm | | | f=100kHz U=1.0V N=20Ts, $\Phi 0.35$ mm | | |
| DN40B | $15 \pm 20\%$ | | | $\geq 90\% \times L_{0A}$ | | |
| | | | | | | |
| | | | | | | |
| | | | | | | |



I cores

I8X3.5X10



CORE SETS

CORE DIMENSIONS (mm)

| Dimensions (mm) | | | | | | Weight (g) |
|-----------------|----------|----------|----------|---------|----------|------------|
| ϕA | B | ϕC | D | E | F | |
| 8.0±0.2 | 10.0±0.2 | 3.5±0.2 | 2.0±0.15 | 6.0±0.2 | 2.0±0.15 | 1.35 |

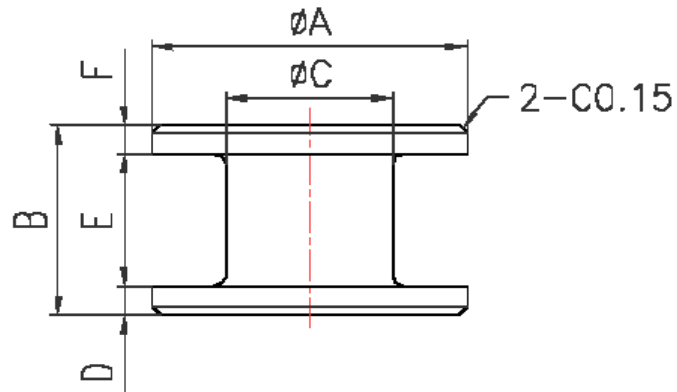
Characteristic

| Grade | $L (\mu H)$ | $L_{1.0A} (\mu H)$ |
|-------|-----------------|--|
| | | $f=100kHz$ $U=1.0V$ $N=20T_s, \Phi 0.2 \text{ mm}$ |
| DN35H | $13.5 \pm 20\%$ | $\geq 90\% \times L_{0A}$ |
| | | |
| | | |
| | | |



I cores

I8X4X11



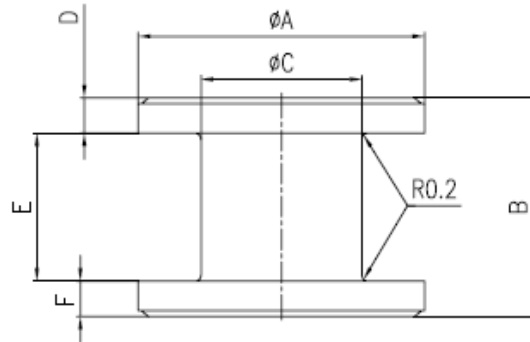
CORE SETS

CORE DIMENSIONS (mm)

| Dimensions (mm) | | | | | | Weight (g) |
|-------------------|-----------------|---------------|----------------|---------------|----------------|------------|
| ϕA | B | ϕC | D | E | F | |
| $8.0^{+0}_{-0.3}$ | 11.0 ± 0.25 | 4.0 ± 0.2 | 2.0 ± 0.15 | 7.0 ± 0.2 | 2.0 ± 0.15 | 1.5 |

Characteristic

| Grade | $L (\mu H)$ | $L_{2A} (\mu H)$ |
|-------|---------------|--|
| | | $f=100\text{kHz}$ $U=1.0V$ $N=20T_s, \phi 0.35 \text{ mm}$ |
| DMR40 | $13 \pm 20\%$ | $\geq 95\% \times L_{0A}$ |
| | | |
| | | |
| | | |



CORE SETS

CORE DIMENSIONS (mm)

| Dimensions (mm) | | | | | | Weight (g) |
|-----------------|---------------|----------------|----------------|---------------|----------------|------------|
| ϕA | B | ϕC | D | E | F | |
| 9.8 ± 0.2 | 6.9 ± 0.2 | 5.1 ± 0.15 | 1.1 ± 0.15 | 4.7 ± 0.1 | 1.1 ± 0.15 | 1.36 |

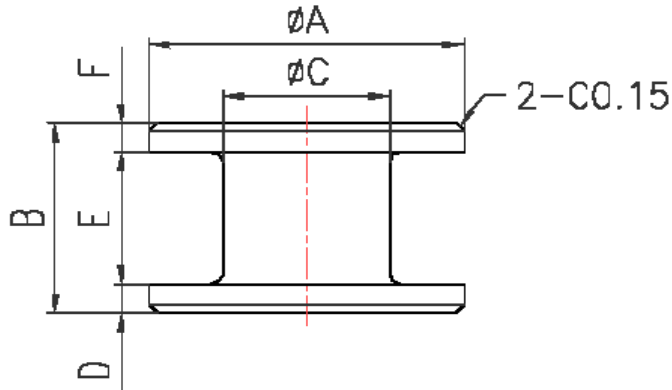
Characteristic

| Grade | $L (\mu H)$ | $L_{4.0A} (\mu H)$ |
|-------|-----------------|---|
| | | $f=100kHz$ $U=1.0V$ $N=20T_s, \Phi 0.35 \text{ mm}$ |
| DN50B | $16.5 \pm 20\%$ | $\geq 90\% \times L_{0A}$ |
| | | |
| | | |



I cores

I9.8X5.2X4



CORE SETS

CORE DIMENSIONS (mm)

| Dimensions (mm) | | | | | | Weight (g) |
|-----------------|----------------|----------------|---------------|----------------|---------------|------------|
| ϕA | B | ϕC | D | E | F | |
| 9.8 ± 0.15 | 4.0 ± 0.15 | 5.2 ± 0.15 | 1.0 ± 0.1 | 2.0 ± 0.15 | 1.0 ± 0.1 | 1 |

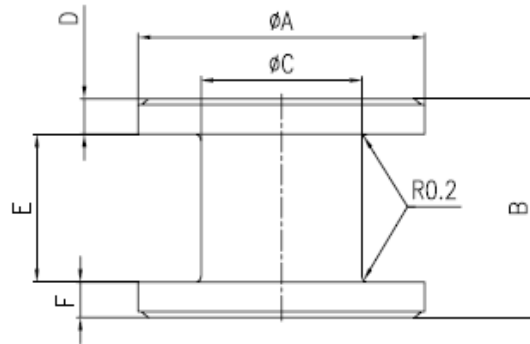
Characteristic

| Grade | $L (\mu H)$ | $L_{4.0A} (\mu H)$ |
|-------|---------------|--|
| | | $f=100kHz$ $U=1.0V$ $N=20Ts, \Phi 0.35 \text{ mm}$ |
| DN35H | $21 \pm 20\%$ | $\geq 90\% \times L_{0A}$ |
| | | |
| | | |
| | | |



I cores

I9. 8X5. 5X6. 9



CORE SETS

CORE DIMENSIONS (mm)

| Dimensions (mm) | | | | | | Weight (g) |
|-----------------|---------------|----------------|----------------|---------------|----------------|------------|
| ϕA | B | ϕC | D | E | F | |
| 9.8 ± 0.2 | 6.9 ± 0.2 | 5.5 ± 0.15 | 1.1 ± 0.15 | 4.7 ± 0.1 | 1.1 ± 0.15 | 1.44 |

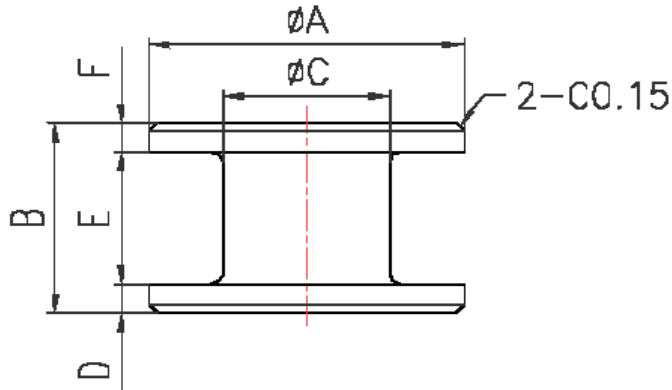
Characteristic

| Grade | $L (\mu H)$ | $L_{4.0A} (\mu H)$ |
|-------|-----------------|---|
| | | $f=100kHz$ $U=1.0V$ $N=20T_s, \Phi 0.35 \text{ mm}$ |
| DN50B | $16.3 \pm 20\%$ | $\geq 90\% \times L_{0A}$ |
| | | |
| | | |
| | | |



I cores

I9.8X5X4.9



CORE SETS

CORE DIMENSIONS (mm)

| Dimensions (mm) | | | | | | Weight (g) |
|-----------------|---------------|---------------|---------------|---------------|---------------|------------|
| ϕA | B | ϕC | D | E | F | |
| 9.8 ± 0.1 | 4.9 ± 0.1 | 5.0 ± 0.1 | 1.1 ± 0.1 | 2.7 ± 0.1 | 1.1 ± 0.1 | 1.14 |

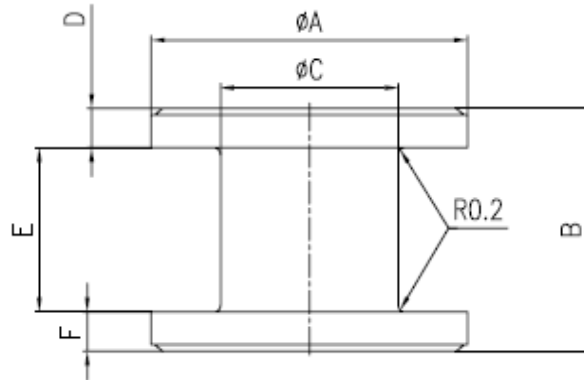
Characteristic

| Grade | $L (\mu H)$ | $L_{2.0A} (\mu H)$ |
|-------|-----------------|---|
| | | $f=100kHz$ $U=1.0V$ $N=20T_s, \phi 0.35 \text{ mm}$ |
| DN35H | $20.5 \pm 20\%$ | $\geq 90\% \times L_{0A}$ |
| | | |
| | | |
| | | |



I cores

I9. 8X5X8. 6



CORE SETS

CORE DIMENSIONS (mm)

| Dimensions (mm) | | | | | | Weight (g) |
|-----------------|---------------|----------------|----------------|---------------|----------------|------------|
| ϕA | B | ϕC | D | E | F | |
| 9.8 ± 0.2 | 8.6 ± 0.2 | 5.0 ± 0.15 | 1.1 ± 0.15 | 6.4 ± 0.1 | 1.1 ± 0.15 | 1.52 |

Characteristic

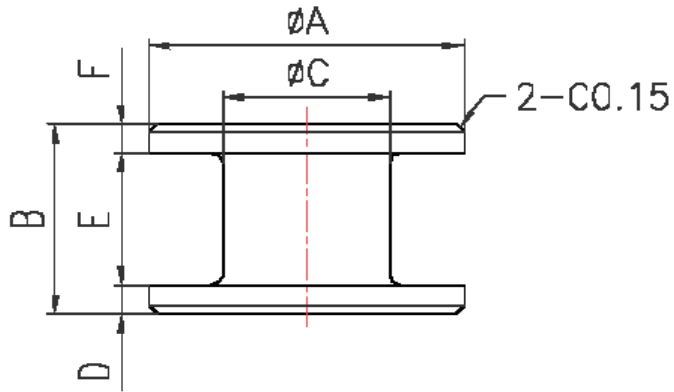
| Grade | $L (\mu H)$ | $L_{4.0A} (\mu H)$ |
|-------|-----------------|---|
| | | $f=100kHz$ $U=1.0V$ $N=20T_s, \Phi 0.35 \text{ mm}$ |
| DN35H | $15.5 \pm 20\%$ | $\geq 90\% \times L_{0A}$ |
| | | |
| | | |
| | | |



I cores

I9.9X5.2X4

ORDERING CODE SYSTEM



CORE SETS

CORE DIMENSIONS (mm)

| Dimensions (mm) | | | | | | Weight (g) |
|-----------------|----------------|----------------|----------------|----------------|----------------|------------|
| ϕA | B | ϕC | D | E | F | |
| 9.9 ± 0.15 | 4.0 ± 0.15 | 5.2 ± 0.15 | 1.0 ± 0.15 | 2.0 ± 0.15 | 1.0 ± 0.15 | 1.02 |

Characteristic

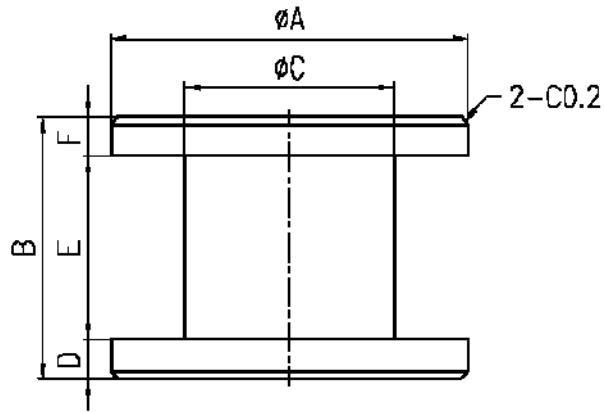
| Grade | $L (\mu H)$ | $L_{4.0A} (\mu H)$ |
|-------|---------------|---|
| | | $f=100kHz$ $U=1.0V$ $N=20T_s, \phi 0.35 \text{ mm}$ |
| DN50B | $18 \pm 20\%$ | $\geq 90\% \times L_{0A}$ |
| | | |
| | | |
| | | |



I cores

I9.9X5.2X5.2

ORDERING CODE SYSTEM



CORE SETS

CORE DIMENSIONS (mm)

| Dimensions (mm) | | | | | | Weight (g) |
|-----------------|---------------|----------------|----------------|----------------|----------------|------------|
| ϕA | B | ϕC | D | E | F | |
| 9.9 ± 0.2 | 5.2 ± 0.2 | 5.2 ± 0.15 | 1.1 ± 0.15 | 3.0 ± 0.15 | 1.1 ± 0.15 | 1.21 |

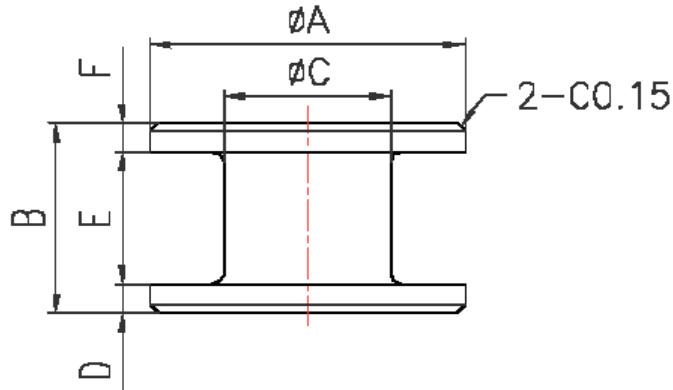
Characteristic

| Grade | $L (\mu H)$ | $L_{4.0A} (\mu H)$ |
|-------|---------------|---|
| | | $f=100kHz$ $U=1.0V$ $N=20T_s, \Phi 0.35 \text{ mm}$ |
| DN50B | $19 \pm 20\%$ | $\geq 90\% \times L_{0A}$ |
| | | |
| | | |
| | | |



I cores

I9.9X5X3.9



CORE SETS

CORE DIMENSIONS (mm)

| Dimensions (mm) | | | | | | Weight (g) |
|-----------------|---------------|---------------|---------------|---------------|---------------|------------|
| ϕA | B | ϕC | D | E | F | |
| 9.9 ± 0.2 | 3.9 ± 0.2 | 5.0 ± 0.2 | 0.9 ± 0.2 | 2.1 ± 0.2 | 0.9 ± 0.2 | 0.93 |

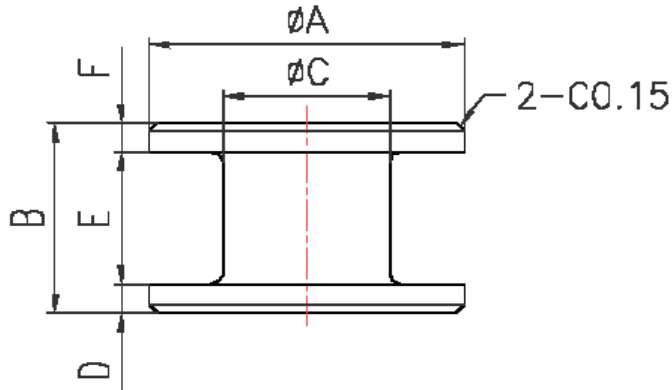
Characteristic

| Grade | $L (\mu H)$ | $L_{4.0A} (\mu H)$ |
|-------|---------------|---|
| | | $f=100kHz$ $U=1.0V$ $N=20T_s, \phi 0.35 \text{ mm}$ |
| DN35H | $21 \pm 20\%$ | $\geq 90\% \times L_{0A}$ |
| | | |
| | | |
| | | |



I cores

I9.9X6.4X7



CORE SETS

CORE DIMENSIONS (mm)

| Dimensions (mm) | | | | | | Weight (g) |
|-----------------|---------------|----------------|----------------|----------------|----------------|------------|
| ϕA | B | ϕC | D | E | F | |
| 9.9 ± 0.15 | 7.0 ± 0.2 | 6.4 ± 0.15 | 1.1 ± 0.15 | 4.8 ± 0.15 | 1.1 ± 0.15 | 1.68 |

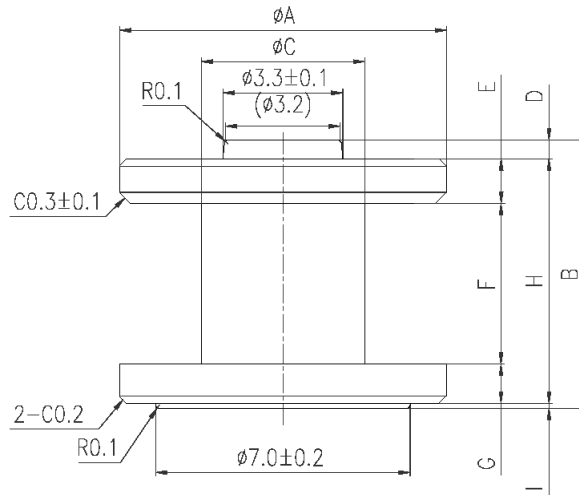
Characteristic

| Grade | $L (\mu H)$ | $L_{5.0A} (\mu H)$ |
|-------|---------------|--|
| | | $f=100kHz$ $U=1.0V$ $N=20Ts, \Phi 0.35 \text{ mm}$ |
| DN50B | $16 \pm 20\%$ | $\geq 90\% \times L_{0A}$ |
| | | |
| | | |
| | | |



I cores

I9X4. 5X5. 4



CORE SETS

CORE DIMENSIONS (mm)

| Dimensions (mm) | | | | | | | | | Weight (g) |
|-----------------|----------------|---------------|-----|---------------|---------------|----------------|----------------|------|------------|
| ΦA | B | ΦC | D | E | F | G | H | I | |
| 9.0 ± 0.1 | 5.4 ± 0.15 | 4.5 ± 0.1 | 0.5 | 1.1 ± 0.1 | 2.7 ± 0.1 | 0.95 ± 0.1 | 4.75 ± 0.2 | 0.15 | 0.96 |

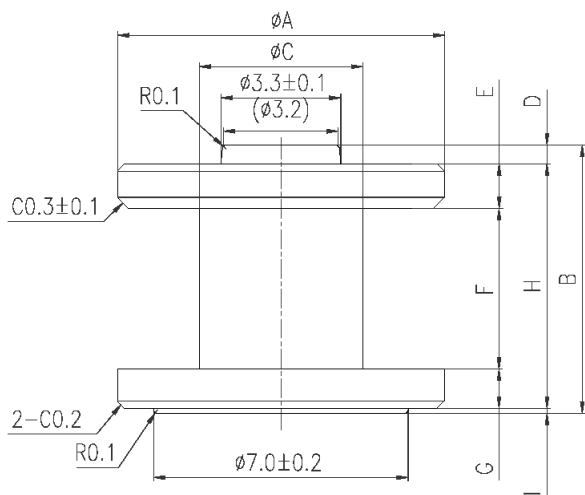
Characteristic

| Grade | $L (\mu H)$ | $L_{4.0A} (\mu H)$ |
|-------|-----------------|--|
| | | $f=100kHz$ $U=1.0V$ $N=20T_s, \Phi 0.5 \text{ mm}$ |
| DN40L | $15.5 \pm 20\%$ | $\geq 90\% \times L_{0A}$ |
| | | |
| | | |
| | | |



I cores

I9X4.5X9.2



CORE SETS

CORE DIMENSIONS (mm)

| Dimensions (mm) | | | | | | | | | Weight (g) |
|-----------------|----------------|---------------|-----|---------------|----------------|----------------|-----------------|-----------------|------------|
| ΦA | B | ΦC | D | E | F | G | H | I | |
| 9.0 ± 0.1 | 9.2 ± 0.15 | 4.5 ± 0.1 | 0.5 | 1.2 ± 0.1 | 6.3 ± 0.12 | 1.05 ± 0.1 | 8.55 ± 0.15 | 0.15 ± 0.07 | 1.32 |

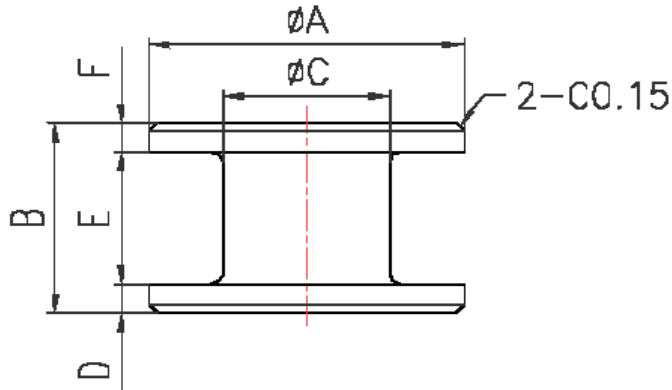
Characteristic

| Grade | $L (\mu H)$ | $L_{5.0A} (\mu H)$ |
|-------|---------------|---|
| | | $f=100kHz$ $U=1.0V$ $N=20Ts, \Phi 0.5 mm$ |
| DN40L | $13 \pm 20\%$ | $\geq 90\% \times L_{0A}$ |
| | | |
| | | |
| | | |



I cores

I9X5X10.5



CORE SETS

CORE DIMENSIONS (mm)

| Dimensions (mm) | | | | | | Weight (g) |
|-----------------|----------------|----------------|----------------|---------------|---------------|------------|
| ϕA | B | ϕC | D | E | F | |
| 9.0 ± 0.15 | 10.5 ± 0.2 | 5.0 ± 0.15 | 1.6 ± 0.15 | 7.3 ± 0.2 | 1.6 ± 0.2 | 1.8 |

Characteristic

| Grade | $L (\mu H)$ | $L_{4.0A} (\mu H)$ |
|-------|---------------|---|
| | | $f=100kHz$ $U=1.0V$ $N=20T_s, \Phi 0.35 \text{ mm}$ |
| DN35H | $16 \pm 20\%$ | $\geq 90\% \times L_{0A}$ |
| | | |
| | | |
| | | |