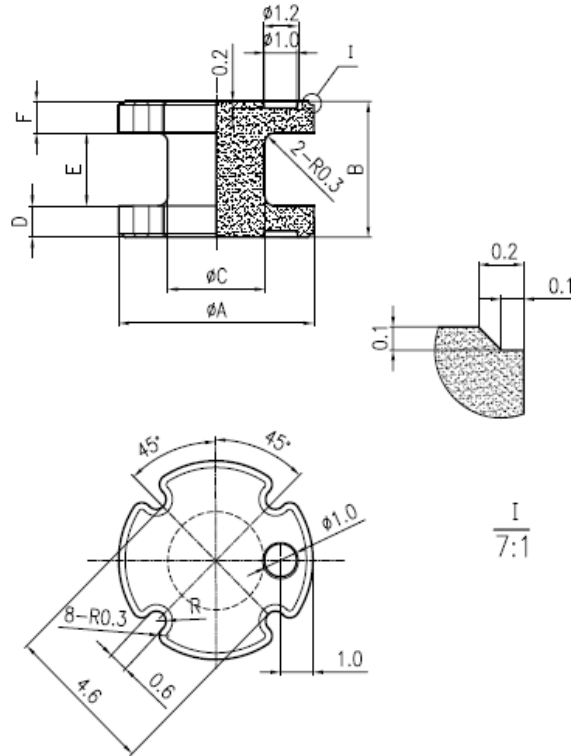




I cores

IK6X2. 8X4. 1A



CORE SETS

CORE DIMENSIONS (mm)

Dimensions (mm)						Weight (g)
ΦA	B	ΦC	D	E	F	
6.0 ± 0.15	4.1 ± 0.15	2.8 ± 0.15	0.9 ± 0.15	2.3 ± 0.15	0.9 ± 0.15	0.34

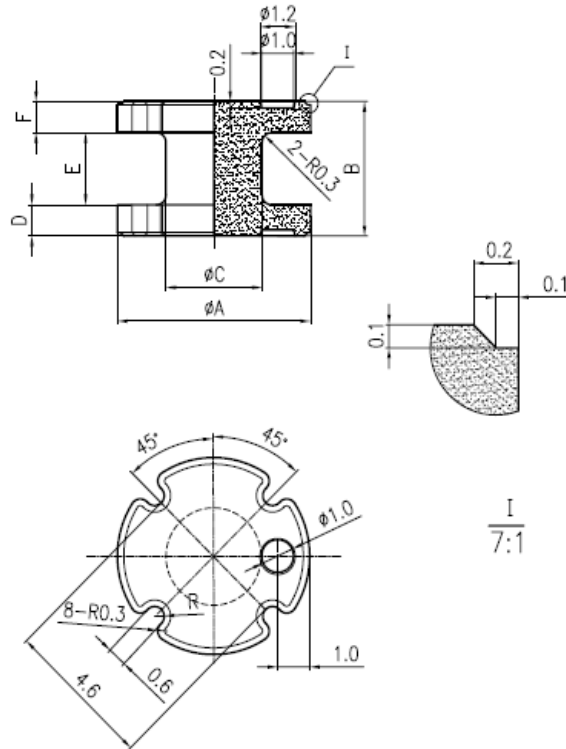
Characteristic

Grade	$L (\mu H)$	$L_{2.0A} (\mu H)$
		$f=100kHz$ $U=1.0V$ $N=20Ts, \Phi 0.35 \text{ mm}$
DN40L	$13.0 \pm 20\%$	$\geq 90\% \times L_{0A}$



I cores

IK6X3. 2X6. 4A



CORE SETS

CORE DIMENSIONS (mm)

Dimensions (mm)						Weight (g)
ΦA	B	ΦC	D	E	F	
6.0 ± 0.15	6.4 ± 0.15	3.2 ± 0.15	0.95 ± 0.15	4.5 ± 0.15	0.95 ± 0.15	0.47

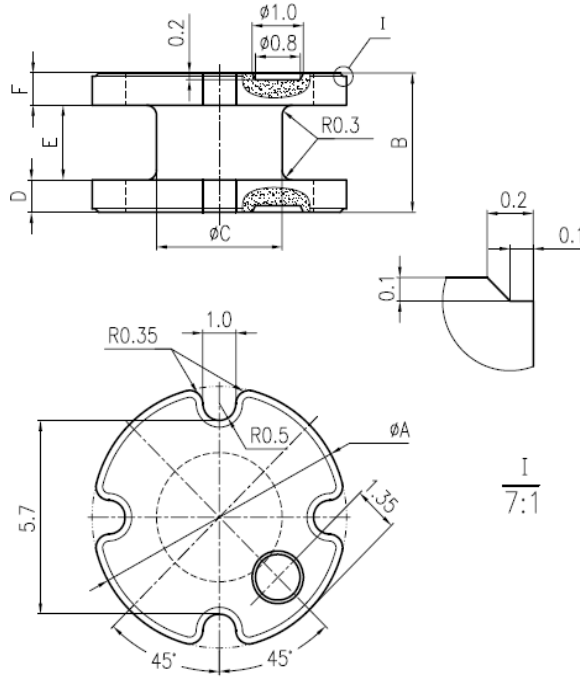
Characteristic

Grade	$L (\mu H)$	$L_{2.0A} (\mu H)$
		$f=100kHz$ $U=1.0V$ $N=20Ts, \Phi 0.35 mm$
DN40L	$11.2 \pm 20\%$	$\geq 90\% \times L_{0A}$



I cores

IK7. 67X3. 6X4. 1A



CORE SETS

CORE DIMENSIONS (mm)

Dimensions (mm)						Weight (g)
ϕA	B	ϕC	D	E	F	
7.67 ± 0.1	4.1 ± 0.07	3.6 ± 0.1	0.95 ± 0.1	2.2 ± 0.1	0.95 ± 0.1	0.57

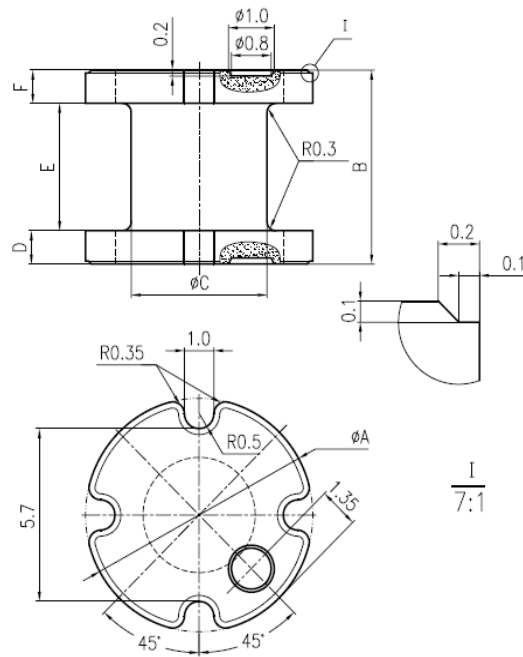
Characteristic

Grade	$L (\mu H)$	$L_{3.0A} (\mu H)$
		$f=100kHz$ $U=1.0V$ $N=20T_s, \phi 0.35 \text{ mm}$
DN40L	$15.8 \pm 20\%$	$\geq 90\% \times L_{0A}$



I cores

IK7. 7X4. 4X6. 4A



CORE SETS

CORE DIMENSIONS (mm)

Dimensions (mm)						Weight (g)
ϕA	B	ϕC	D	E	F	
7.7 ± 0.1	6.4 ± 0.1	4.4 ± 0.1	1.1 ± 0.1	4.2 ± 0.1	1.1 ± 0.1	0.86

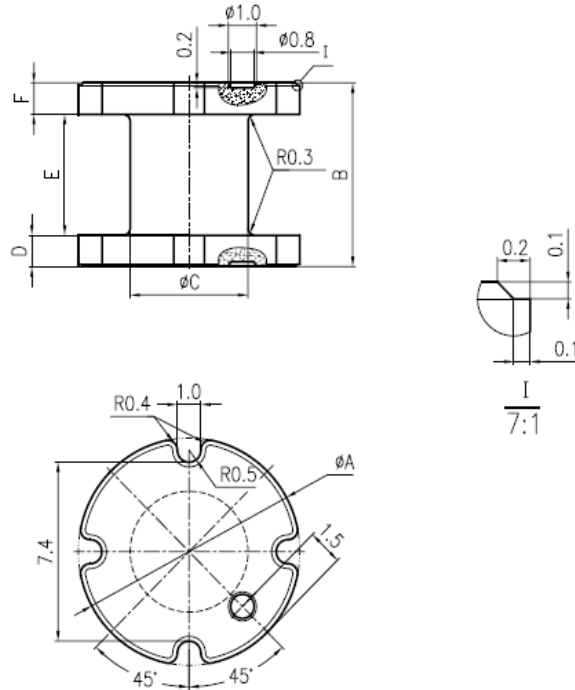
Characteristic

Grade	$L (\mu H)$	$L_{5.0A} (\mu H)$
		$f=100kHz$ $U=1.0V$ $N=20T_s, \Phi 0.5 \text{ mm}$
DN40L	$13.5 \pm 20\%$	$\geq 90\% \times L_{0A}$



I cores

IK9. 4X5. 6X7. 6A



CORE SETS

CORE DIMENSIONS (mm)

Dimensions (mm)						Weight (g)
ϕA	B	ϕC	D	E	F	
9.4 ± 0.1	7.6 ± 0.1	5.6 ± 0.1	1.3 ± 0.1	5.0 ± 0.1	1.3 ± 0.1	1.58

Characteristic

Grade	$L (\mu H)$	$L_{7.0A} (\mu H)$
		$f=100kHz$ $U=1.0V$ $N=20T_s, \phi 0.5 \text{ mm}$
DN40L	$17.4 \pm 20\%$	$\geq 90\% \times L_{0A}$