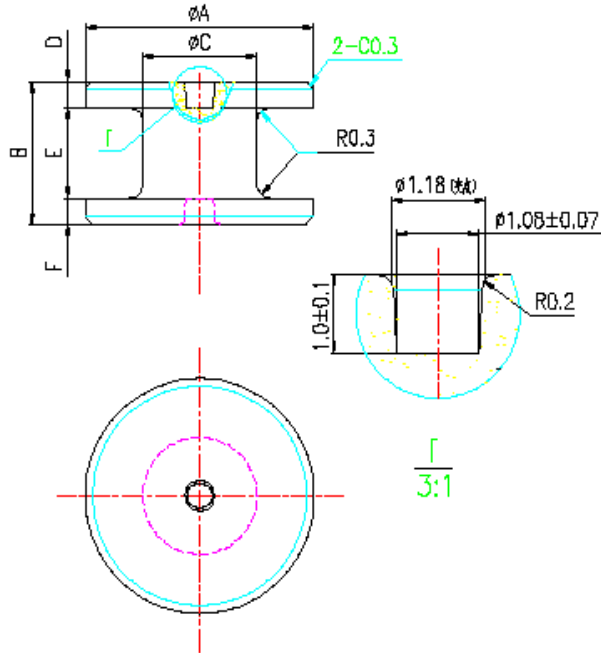




I cores

IGd9X4. 5X6



CORE SETS

CORE DIMENSIONS (mm)

Dimensions (mm)						Weight (g)
ϕA	B	ϕC	D	E	F	
9.0 ± 0.1	6.0 ± 0.15	4.5 ± 0.15	1.2 ± 0.12	3.6 ± 0.15	1.2 ± 0.12	1.09

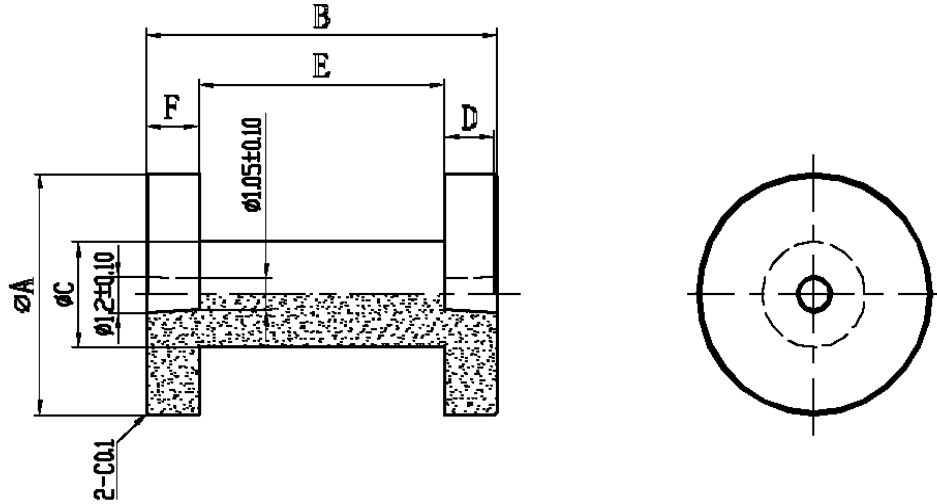
Characteristic

Grade	$L (\mu H)$	$L_{1.0A} (\mu H)$
		$f=100kHz$ $U=1.0V$ $N=20T_s, \Phi 0.35 \text{ mm}$
DN40L	$15.0 \pm 20\%$	$\geq 90\% \times L_{0A}$



I cores

IGd8X3.5X12



CORE SETS

CORE DIMENSIONS (mm)

Dimensions (mm)						Weight (g)
ϕA	B	ϕC	D	E	F	
8.0 ± 0.2	12.0 ± 0.4	3.5 ± 0.1	1.8 ± 0.15	8.4 ± 0.3	1.8 ± 0.15	1.36

Characteristic

Grade	$L (\mu H)$	$L_{2.5A} (\mu H)$
		$f=100kHz$ $U=1.0V$ $N=20T_s, \Phi 0.35 \text{ mm}$
DN65H	$15.6 \pm 20\%$	$\geq 90\% \times L_{0A}$