

# I 型磁芯 · I Cores(ICa型)

## ORDERING CODE SYSTEM

ICa 8 × 4 × 10 DN33L

Material  
Height  
Inside diameter  
Outside diameter  
Core type

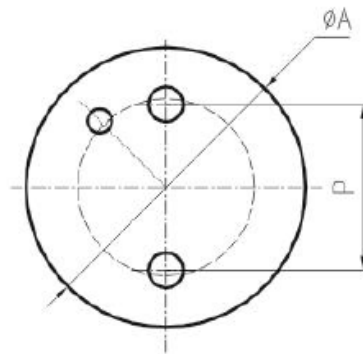
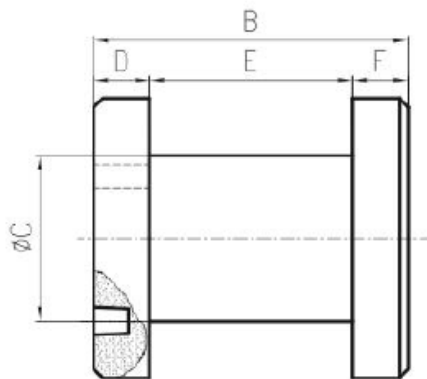


Figure 1

| 型号<br>Part number | 图号<br>Fig. | 尺寸 Dimensions(mm) |            |               |           |            |           |           | 重量<br>Wt(g/set) |
|-------------------|------------|-------------------|------------|---------------|-----------|------------|-----------|-----------|-----------------|
|                   |            | $\Phi A$          | B(可调)      | $\Phi C$ (可调) | D(可调)     | E(可调)      | F(可调)     | P         |                 |
| ICa 14 × 8 × 19   | 1          | 14.0 ± 0.3        | 19.0 ± 0.5 | 8.0 ± 0.2     | 2.5 ± 0.2 | 14.0 ± 0.3 | 2.5 ± 0.2 | 7.5 ± 0.5 | 7.5             |
| ICa 16 × 9 × 18   | 1          | 16.0 ± 0.3        | 18.0 ± 0.3 | 9.0 ± 0.2     | 2.5 ± 0.2 | 13.0 ± 0.3 | 2.5 ± 0.2 | 9.5 ± 0.5 | 9.3             |

注: 其它尺寸可以根据需求来制作

REMARK: OTHER SIZE ARE AVAILABLE UPON REQUEST