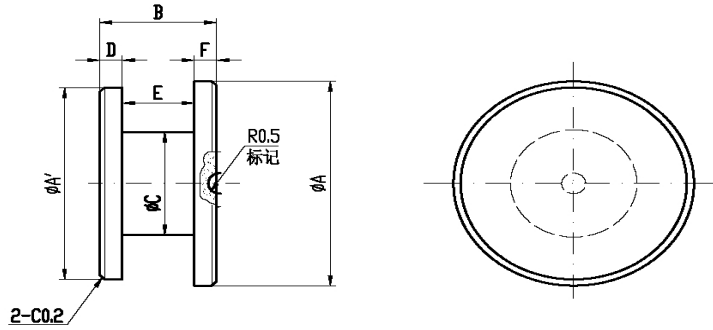




FY/I cores

Ia9. 85X4. 8X4. 8

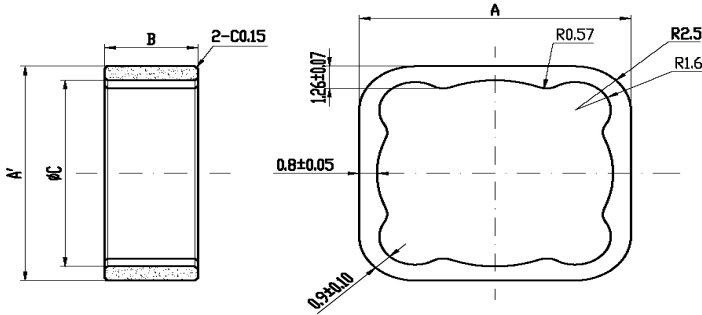
FY12. 2X4. 2X10. 6B



CORE SETS

CORE DIMENSIONS (mm)

Dimensions (mm)							Weight (g)
Φ A	Φ A'	B	Φ C	D	E	F	
9.85±0.15	9.3±0.15	4.8±0.15	4.8±0.1	0.9±0.1	3.0±0.15	0.9±0.1	0.96



Dimensions (mm)				Weight (g)
A	A'	B	Φ C	
12.2±0.2	12.2±0.2	4.2±0.2	10.6±0.15	1.32

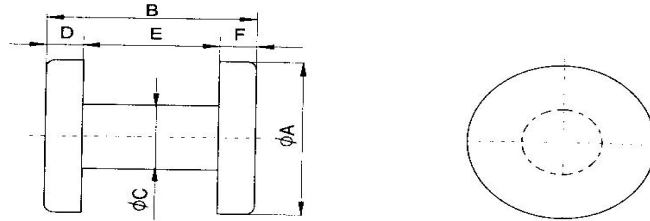
Characteristic

Grade	L (μ H)	L _{0.5A} (μ H)
		f=100kHz U=1.0V N=20Ts, Φ0.2 mm
DN35H	25.5±20%	≥80% X L _{0A}



FY/I cores

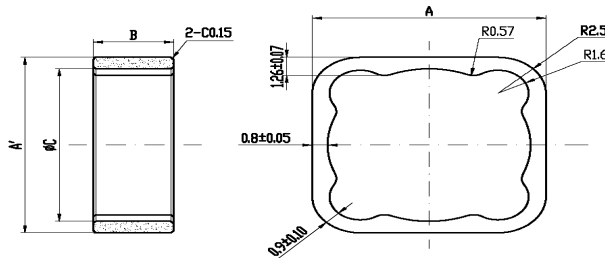
I9.9×6.4×7.0
FY12.2×6.41×10.6



CORE SETS

CORE DIMENSIONS (mm)

Dimensions (mm)						Weight (g)
ΦA	B	ΦC	D	E	F	
9.9±0.1	7.0±0.1	6.4±0.1	1.1±0.1	4.8±0.15	1.1±0.1	2.26



Dimensions (mm)				Weight (g)
A	A'	B	ΦC	
12.2±0.2	12.2±0.2	6.41±0.1	10.6±0.15	2.02

Characteristic

Grade	L (μH)	L _{0.7A} (μH)
		f=100kHz U=1.0V N=20Ts, Φ0.2 mm
DN65H	32.5±20%	≥80% X L _{0A}