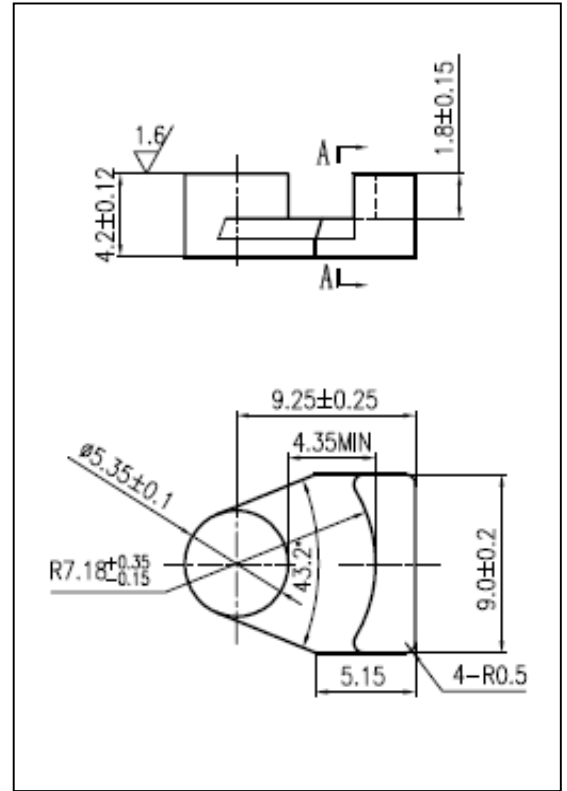


CORE SETS

Effective core parameters

SYMBOL	PARAMETER	VALUE	UNIT
$\Sigma (1/A)$	core factor (C_1)	0.93	mm^{-1}
V_e	effective volume	411.60	mm^3
l_e	effective length	19.60	mm
A_e	effective area	21.00	mm^2
A_{min}	minimum area	17.45	mm^2
W_t	mass of core set	≈ 3.4	g



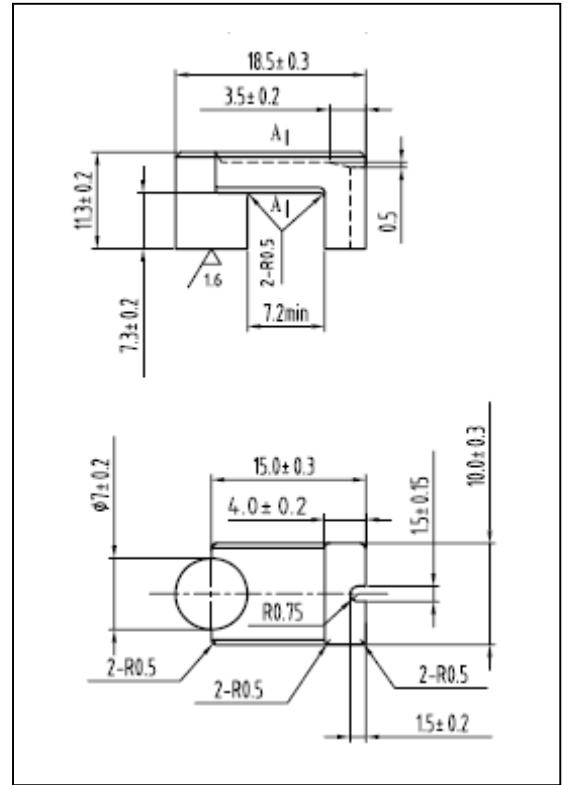
Characteristic

GRADE	AL (nH/N^2)	B (mT)	CORE LOSS (W)
	f=10kHz U=0.25V	H=250A/m f=25kHz T=100°C	f=100kHz B=200mT T=100°C
DMR24	$1350 \pm 25\%$	≥ 325	≤ 0.50
DMR40	$1750 \pm 25\%$	≥ 315	≤ 0.41
DMR44	$1750 \pm 25\%$	≥ 315	≤ 0.34
DMR95	$2300 \pm 25\%$	≥ 315	≤ 0.35

CORE SETS

Effective core parameters

SYMBOL	PARAMETER	VALUE	UNIT
$\Sigma (1/A)$	core factor (C_1)	1.68	mm^{-1}
V_e	effective volume	2428.2	mm^3
l_e	effective length	63.9	mm
A_e	effective area	38.0	mm^2
W_t	mass of core set	≈ 11.6	g



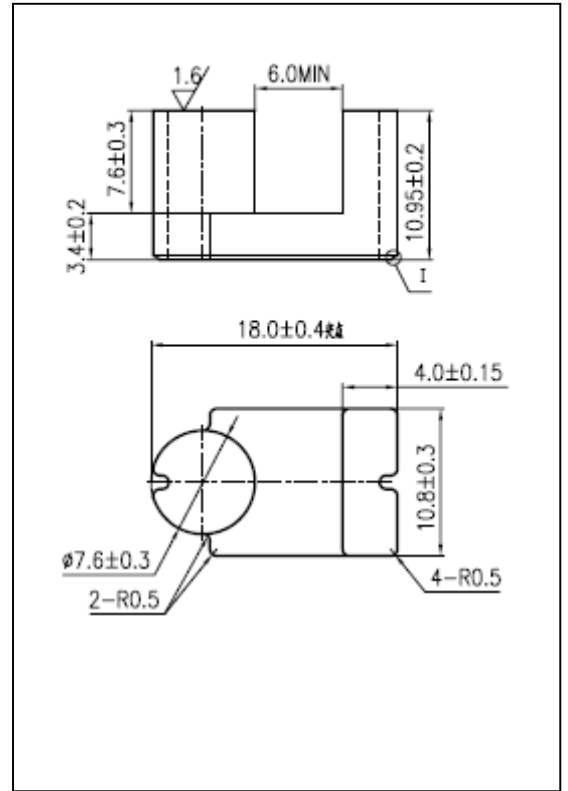
Characteristic

GRADE	AL (nH/N^2)	B (mT)	CORE LOSS (W)
	$f=10\text{kHz}$ $U=0.25\text{V}$	$H=250\text{A/m}$ $f=25\text{kHz}$ $T=100^\circ\text{C}$	$f=100\text{kHz}$ $B=200\text{mT}$ $T=100^\circ\text{C}$
DMR40	$1400 \pm 25\%$	≥ 315	≤ 1.57
DMR44	$1400 \pm 25\%$	≥ 315	≤ 1.22

CORE SETS

Effective core parameters

SYMBOL	PARAMETER	VALUE	UNIT
$\Sigma (1/A)$	core factor (C_1)	1.47	mm^{-1}
V_e	effective volume	2779.65	mm^3
l_e	effective length	63.90	mm
A_e	effective area	43.50	mm^2
A_{min}	minimum area	41.68	mm^2
W_t	mass of core set	≈ 11.6	g



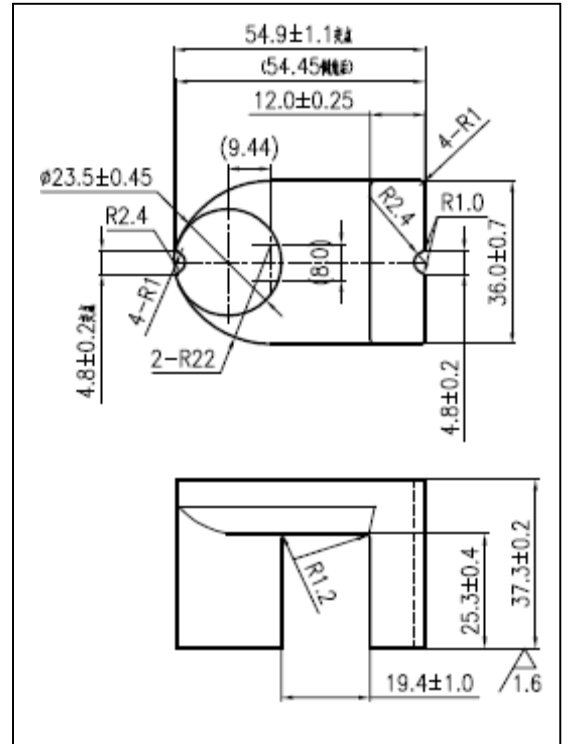
Characteristic

GRADE	AL (nH/N ²)	B (mT)	CORE LOSS (W)
	f=10kHz U=0.25V	H=250A/m f=25kHz T=100°C	f=100kHz B=200mT T=100°C
DMR40	1800 ± 25%	≥ 315	≤ 1.57
DMR44	1800 ± 25%	≥ 315	≤ 1.22

CORE SETS

Effective core parameters

SYMBOL	PARAMETER	VALUE	UNIT
$\Sigma (1/A)$	core factor (C_1)	0.45	mm^{-1}
V_e	effective volume	78249.60	mm^3
l_e	effective length	187.20	mm
A_e	effective area	418.00	mm^2
W_t	mass of core set	≈ 408.0	g



Characteristic

GRADE	AL (nH/N ²)	B (mT)	CORE LOSS (W)
	f=10kHz U=0.25V	H=250A/m f=25kHz T=100°C	f=100kHz B=200mT T=100°C
DMR40	5100 ± 25%	≥ 315	≤ 53.0
DMR44	5100 ± 25%	≥ 315	≤ 45.0
DMR47	5100 ± 25%	≥ 325	≤ 42.8
DMR95	8000 ± 25%	≥ 315	≤ 45.0