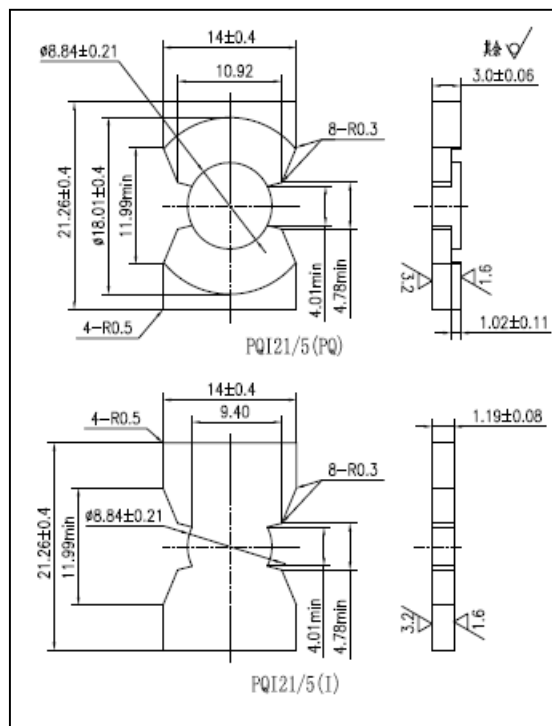


CORE SETS

Effective core parameters

SYMBOL	PARAMETER	VALUE	UNIT
$\Sigma (1/A)$	core factor (C_1)	0.34	mm^{-1}
V_e	effective volume	916.93	mm^3
l_e	effective length	17.63	mm
A_e	effective area	52.01	mm^2
A_{\min}	minimum area	52.01	mm^2
W_t	mass of core set	≈ 5.4	g



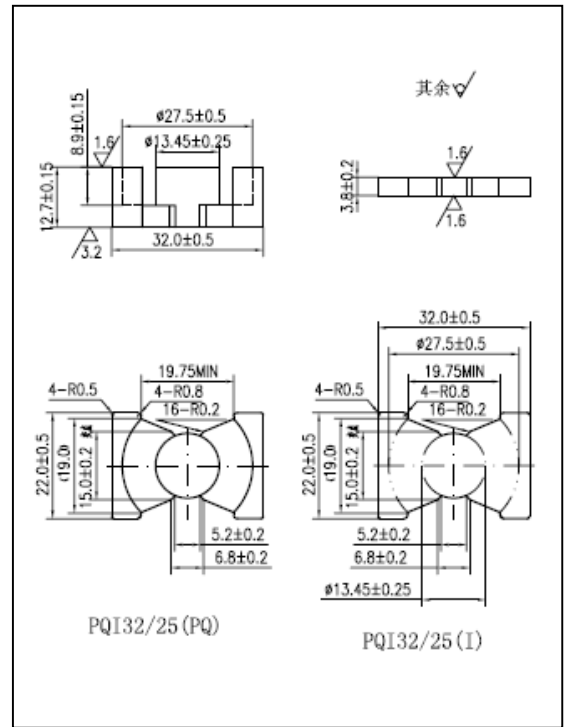
Characteristic

GRADE	AL (nH/N^2)	B (mT)	CORE LOSS (W)
	$f=10\text{kHz}$ $U=0.25\text{V}$	$H=250\text{A/m}$ $f=25\text{kHz}$ $T=100^\circ\text{C}$	$f=100\text{kHz}$ $B=200\text{mT}$ $T=100^\circ\text{C}$
DMR40	$4500 \pm 25\%$	≥ 315	≤ 0.76
DMR44	$4500 \pm 25\%$	≥ 315	≤ 0.65

CORE SETS

Effective core parameters

SYMBOL	PARAMETER	VALUE	UNIT
$\Sigma (1/A)$	core factor (C_1)	0.32	mm^{-1}
V_e	effective volume	6545.34	mm^3
l_e	effective length	45.90	mm
A_e	effective area	142.60	mm^2
A_{\min}	minimum area	142.08	mm^2
W_t	mass of core set	≈ 31.5	g



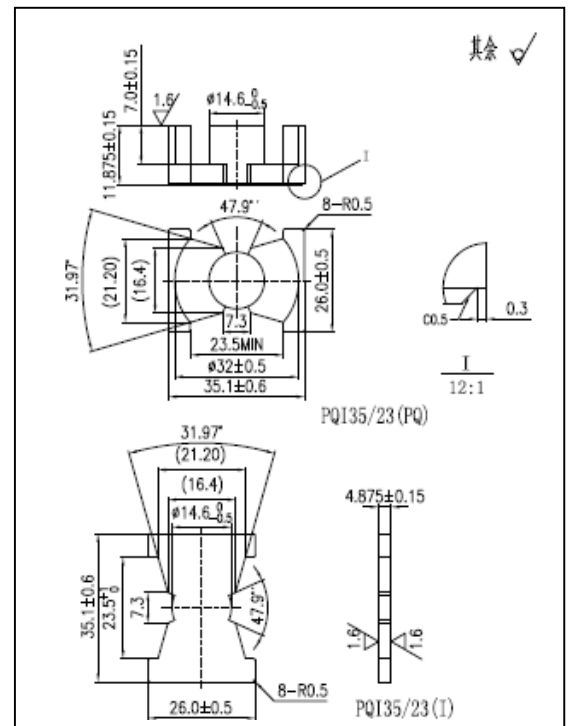
Characteristic

GRADE	AL (nH/N ²)	B (mT)	CORE LOSS (W)
	f=10kHz U=0.25V	H=250A/m f=25kHz T=100°C	f=100kHz B=200mT T=100°C
DMR40	7400 ± 25%	≥ 315	≤ 4.41
DMR44	7400 ± 25%	≥ 315	≤ 3.78

CORE SETS

Effective core parameters

SYMBOL	PARAMETER	VALUE	UNIT
$\Sigma (1/A)$	core factor (C_1)	0.24	mm^{-1}
V_e	effective volume	8020.53	mm^3
l_e	effective length	43.90	mm
A_e	effective area	182.70	mm^2
A_{\min}	minimum area	161.73	mm^2
W_t	mass of core set	≈ 49.0	g



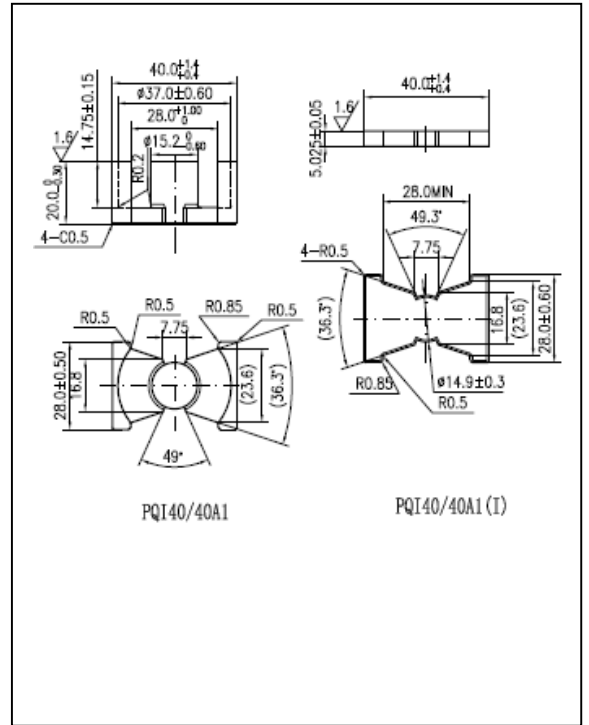
Characteristic

GRADE	AL (nH/N^2)	B (mT)	CORE LOSS (W)
	$f=10\text{kHz}$ $U=0.25\text{V}$		$H=250\text{A}/\text{m}$ $f=25\text{kHz}$ $T=100^\circ\text{C}$
DMR95	$8400 \pm 25\%$	≥ 315	≤ 4.58

CORE SETS

Effective core parameters

SYMBOL	PARAMETER	VALUE	UNIT
$\Sigma (1/A)$	core factor (C_1)	0.33	mm^{-1}
V_e	effective volume	12642.27	mm^3
l_e	effective length	64.37	mm
A_e	effective area	196.40	mm^2
A_{min}	minimum area	181.46	mm^2
W_t	mass of core set	≈ 70.0	g



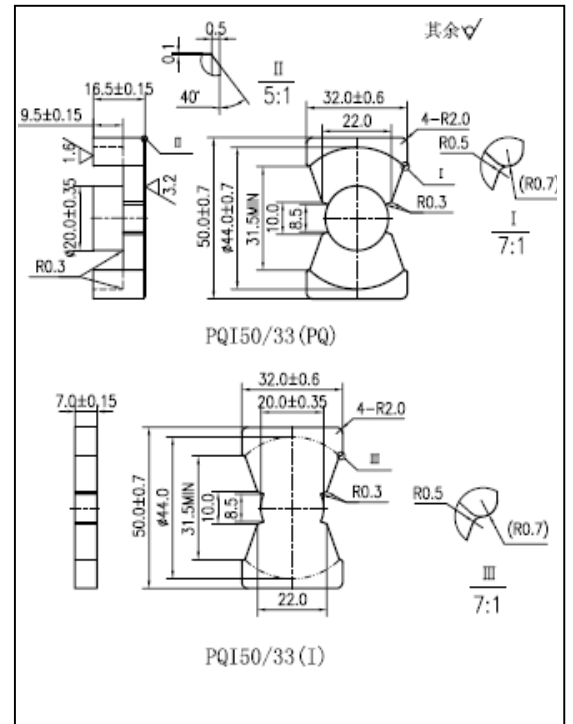
Characteristic

GRADE	AL (nH/N ²)	B (mT)	CORE LOSS (W)
	f=10kHz U=0.25V	H=250A/m f=25kHz T=100°C	f=100kHz B=200mT T=100°C
DMR40	6000 ± 25%	≥ 315	≤ 8.40
DMR44	6000 ± 25%	≥ 315	≤ 7.70
DMR95	6500 ± 25%	≥ 315	≤ 7.32

CORE SETS

Effective core parameters

SYMBOL	PARAMETER	VALUE	UNIT
$\Sigma (1/A)$	core factor (C_1)	0.17	mm^{-1}
V_e	effective volume	21243.52	mm^3
l_e	effective length	60.80	mm
A_e	effective area	349.40	mm^2
A_{\min}	minimum area	314.16	mm^2
W_t	mass of core set	≈ 104.5	g



Characteristic

GRADE	AL (nH/N^2)	B (mT)	CORE LOSS (W)
	f=10kHz U=0.25V	H=250A/m f=25kHz T=100°C	f=100kHz B=200mT T=100°C
DMR40	$8800 \pm 25\%$	≥ 315	≤ 14.63
DMR44	$8800 \pm 25\%$	≥ 315	≤ 12.54
DMR95	$11500 \pm 25\%$	≥ 315	≤ 12.32